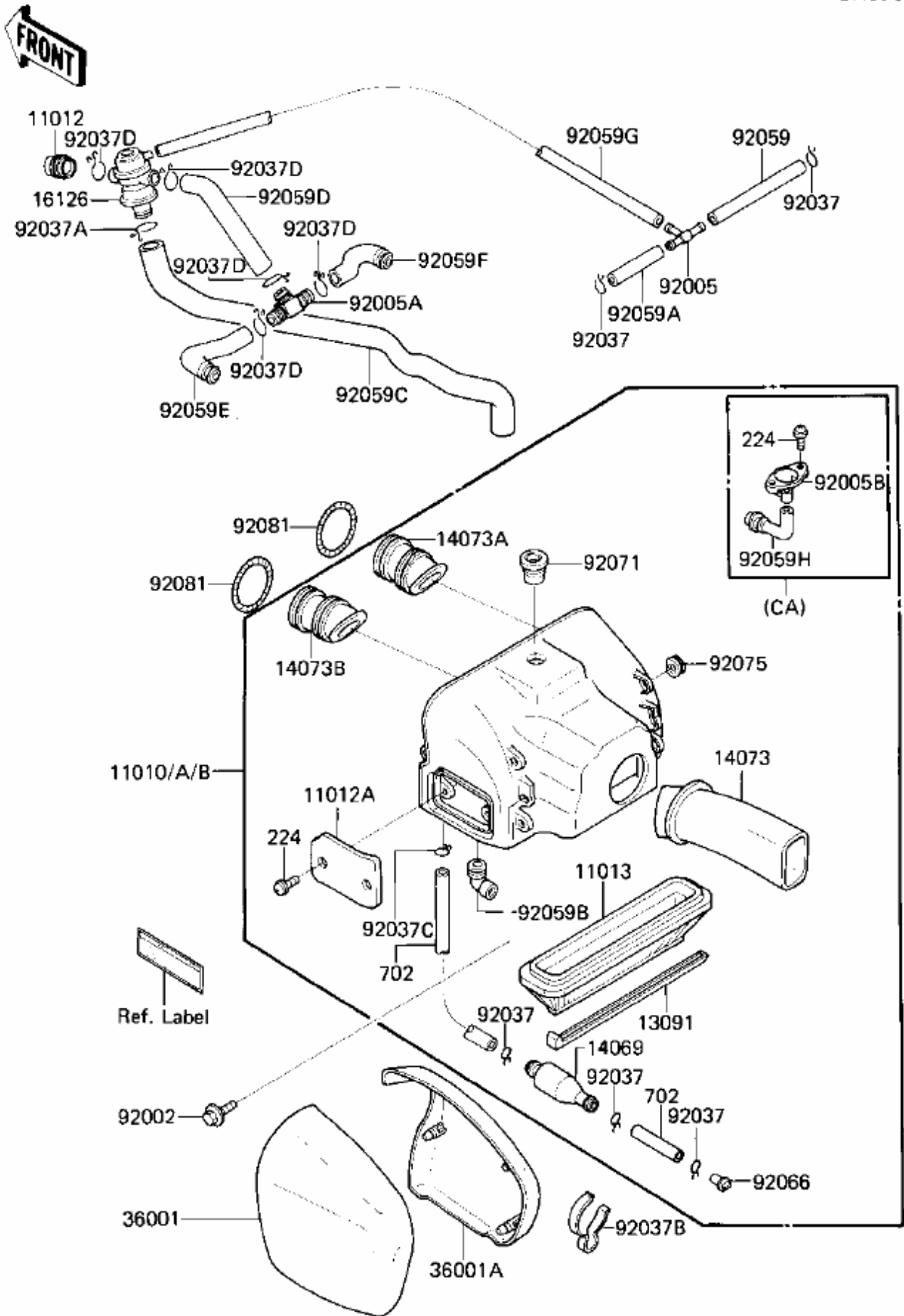


AIR CLEANER

E1130-0192

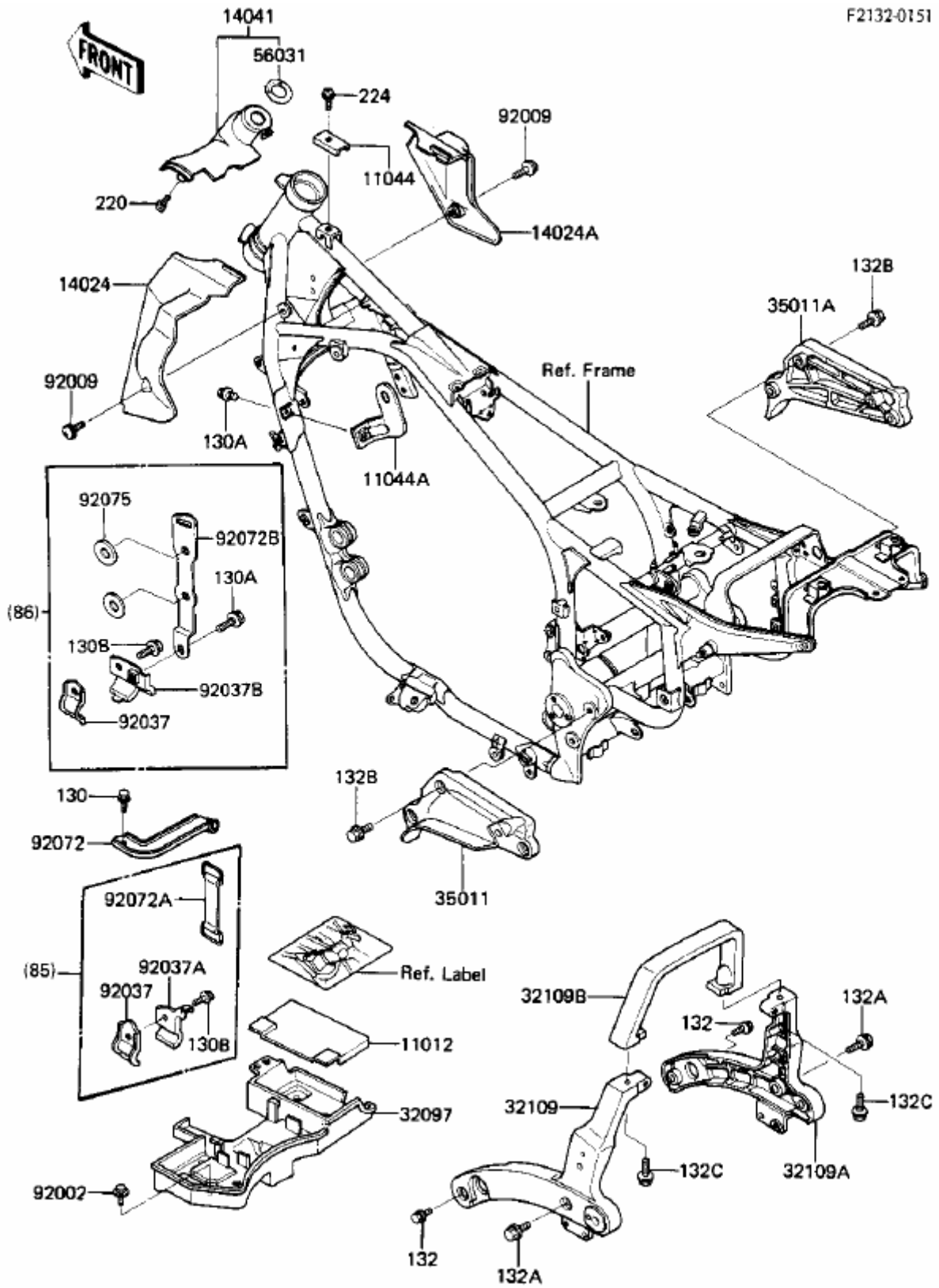


AIR CLEANER

Ref #	Part #	Description	Qty	Spec	Code
11010	11010-1261	FILTER-ASSY-AIR	1		US
11010A	11010-1262	FILTER-ASSY-AIR (Canada)	1		CN
11010B	11010-1263	FILTER-ASSY-AIR	1		CA
11012	11012-1370	CAP,AIR FILTER	1		CA,US
11012A	11012-1485	CAP,AIR FILTER	1		
11013	11013-1112	ELEMENT-AIR FILTER	1		
13091	13091-1378	HOLDER,ELEMENT	1		
14069	14069-1051	BREATHER	1		
14073	14073-1099	DUCT,AIR FILTER	1		
14073A	14073-1224	DUCT,#1,#3	2		
14073B	14073-1225	DUCT,#2,#4	2		
16126	16126-1104	VALVE,AIR SWITCH	1		CA,US
36001	36001-1295	COVER-SIDE,AIR FILTER	1		CA,US
36001A	36001-1296	COVER-SIDE,AIR FILTER	1		
92002	92001-1950	BOLT,6X16	2		
92005	92005-1017	FITTING,TUBE	1		CA,US
92005A	92005-1130	FITTING,TUBE,T-TYPE	1		CA,US
92005B	92005-1136	FITTING	1		CA
92037	92037-072	CLAMP-PIPE	3		CN
92037A	92037-1076	CLAMP	1		CA,US
92037B	92037-1092	CLAMP,AIR VENT HOSE	1		
92037C	92037-147	CLAMP,CHAIN OILER	1		
92037D	92037-213	CLAMP,BREATHER TUBE	5		CA,US
92059	92059-1162	TUBE,VACUUM, LONG	1		CA,US
92059A	92059-1365	TUBE,4X9X80	1		CA,US
92059B	92059-1391	TUBE,BREATHER	1		
92059C	92059-1569	TUBE	1		CA,US
92059D	92059-1570	TUBE	1		CA,US
92059E	92059-1572	TUBE,LH	1		CA,US
92059F	92059-1573	TUBE,RH	1		CA,US
92059G	92059-161	UNAVAILABLE IN PRICE BOOK	1		CA,US
92059H	92059-1622	TUBE	1		CA
92066	92066-1211	PLUG	1		
92071	92071-1129	GROMMET,AIR FILTER	1		CA,US
92075	92075-1470	DAMPER,AIR FILTER	6		
92081	92144-1771	SPRING,AIR FILTER DUCT	4		
224	224C0614	SCREW-PAN-WP-CROSS	2		CN,US
224	224C0614	SCREW-PAN-WP-CROSS	4		CN,US
702	702A071000	TUBE-BREATHER (BULK)	2		

BATTERY CASE

F2132-0151

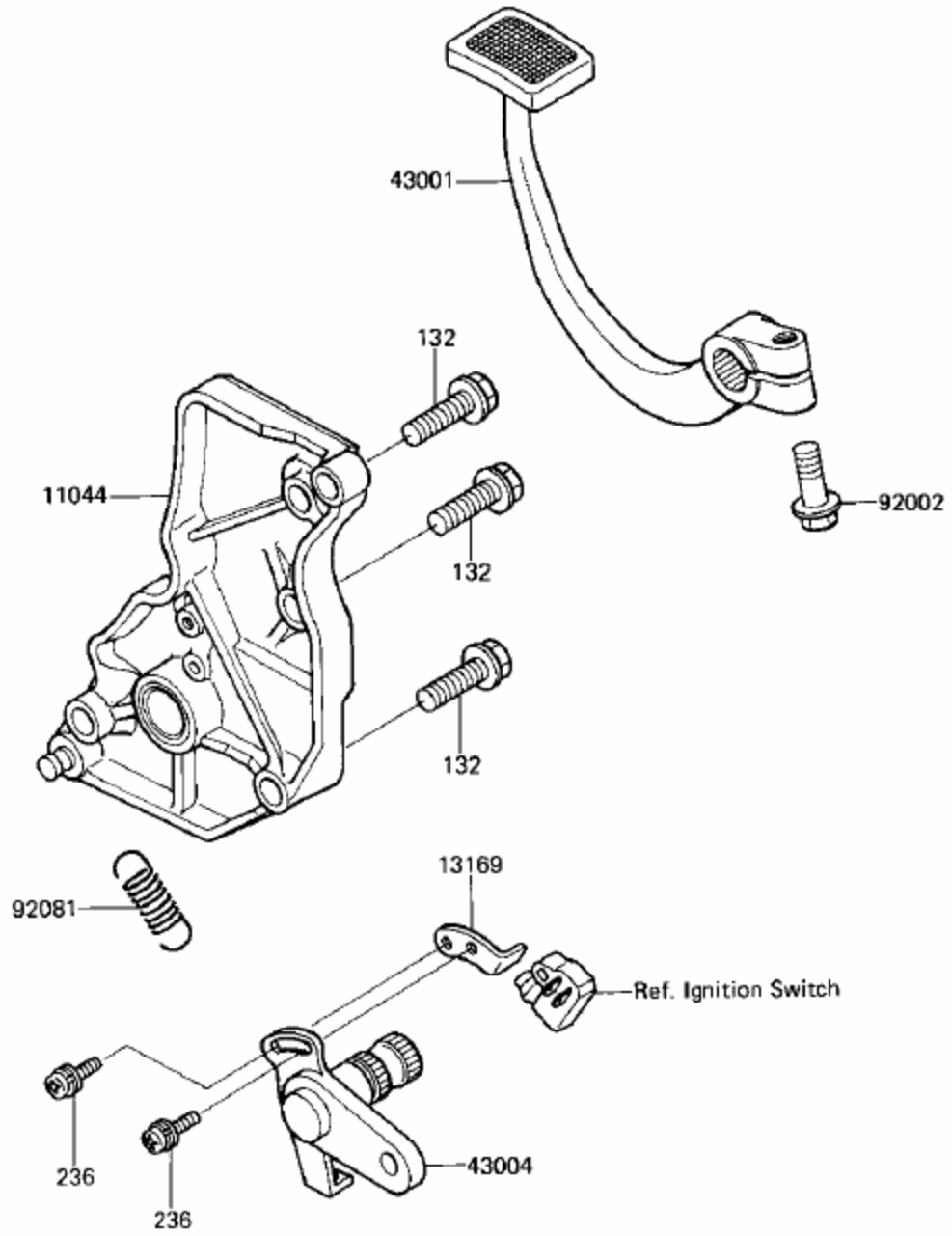


BATTERY CASE

Ref #	Part #	Description	Qty	Spec	Code
11012	11012-1447	CAP,BATTERY	1		
11044	11044-1293	BRACKET,GUSSET COVER	1		
11044A	11044-1424	BRACKET	1		
14024	14024-1075	COVER,FUEL TANK,LH	1		
14024A	14024-1076	COVER,FUEL TANK,RH	1		
14041	14041-1062	COVER-COMP,HANDLE HOL	1		
32097	32097-1117	CASE-BATTERY	1		
32109	32109-1127	GRIP-FRAME,LWR,LH	1		
32109A	32109-1128	GRIP-FRAME,LWR,RH	1		
32109B	32109-1129	GRIP-FRAME,UPP	1		
35011	35011-1251	STAY,MUFFLER,LH	1		
35011A	35011-1252	STAY,MUFFLER,RH	1		
56031	56031-1419	LABEL-MANUAL,IGNITION	1		
92002	92002-1351	BOLT	4		
92009	92009-1663	SCREW	2		
92037	92037-1670	CLAMP,BRAKE HOSE	1		
92037A	92037-1685	CLAMP	1		
92037B	92037-1711	CLAMP,HOSE	1		
92072	92072-1183	BAND,BATTERY	1		
92072A	92072-1188	BAND	1		
92072B	92072-1191	BAND,BATTERY	1		
92075	92075-078	DAMPER RUBBER	2		
130	130B0610	BOLT,FLANGED,6X10	1		
130A	130C0610	BOLT-FLANGED,6X10,BLACK	1		
130A	130C0610	BOLT-FLANGED,6X10,BLACK	2		
130B	130C0612	BOLT-FLANGED,6X12	1		
132	132E0625	BOLT-FLANGED-SMALL	2		
132A	132E0820	BOLT-FLANGED-SMALL	2		
132B	132E0825	BOLT-FLANGED-SMALL	4		
132C	132G0825	BOLT-FLANGED-SMALL	2		
220	220B0510	SCREW PAN HEAD 5X10	2		
224	224C0520	SCREW-PAN-WP-CROSS	1		

BRAKE PEDAL

F2260-0157



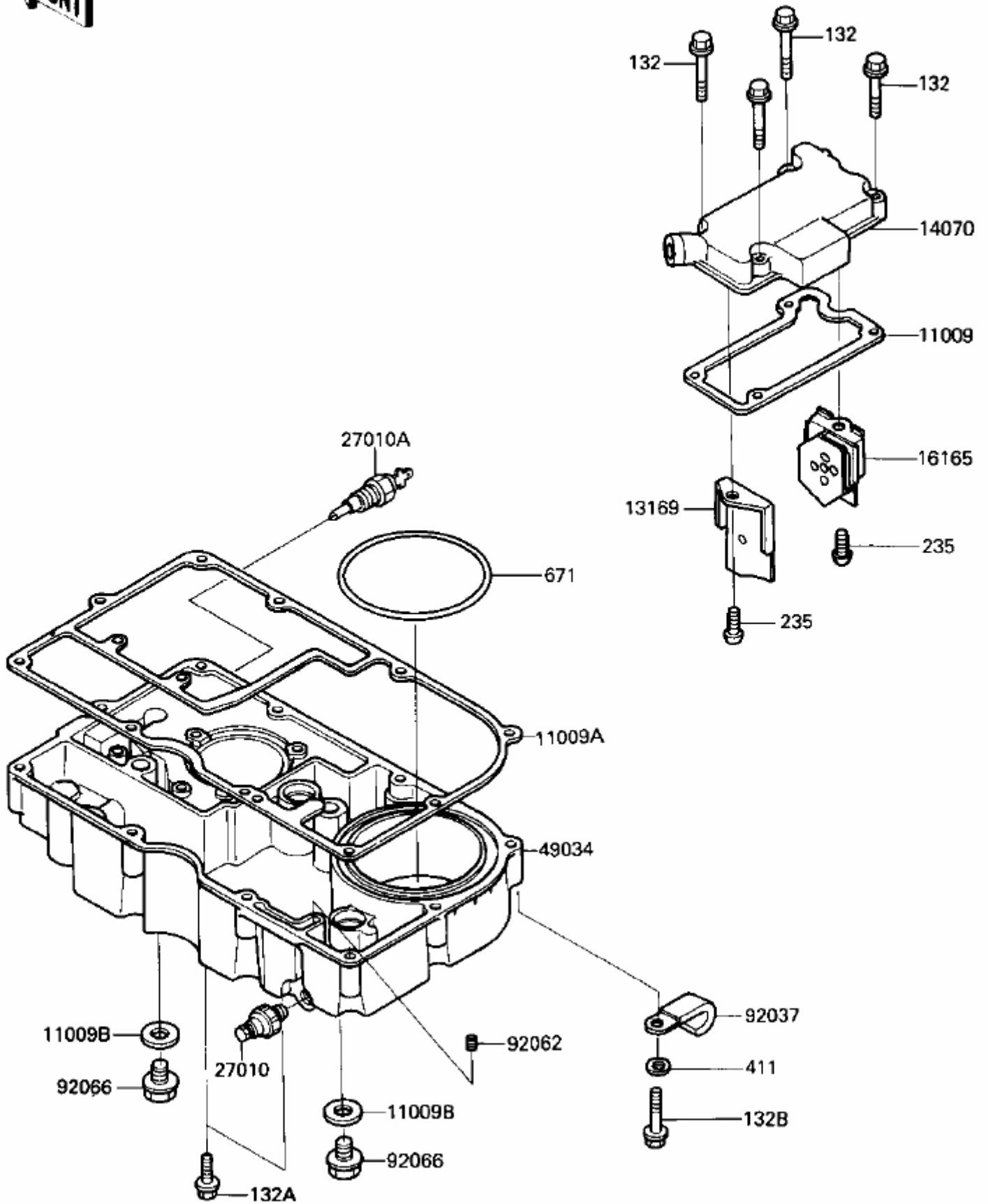
BRAKE PEDAL

Ref #	Part #	Description	Qty	Spec	Code
11044	11044-1257	BRACKET,BRAKE PANEL	1		
13169	13169-1940	PLATE,BRAKE SWITCH	1		
43001	43001-1202	LEVER-BRAKE,PEDAL	1		
43004	43004-1113	SHAFT-BRAKE	1		
92002	92002-1201	BOLT,FLANGED,8X25	1		
92081	92081-1590	SPRING,STEP RETURN	1		
132	132E0830	BOLT-FLANGED-SMALL	3		
236	236B0410	SCREW-PAN-WSP-CROSS	2		

BREATHER COVER-OIL PAN

E1432-0035

FRONT

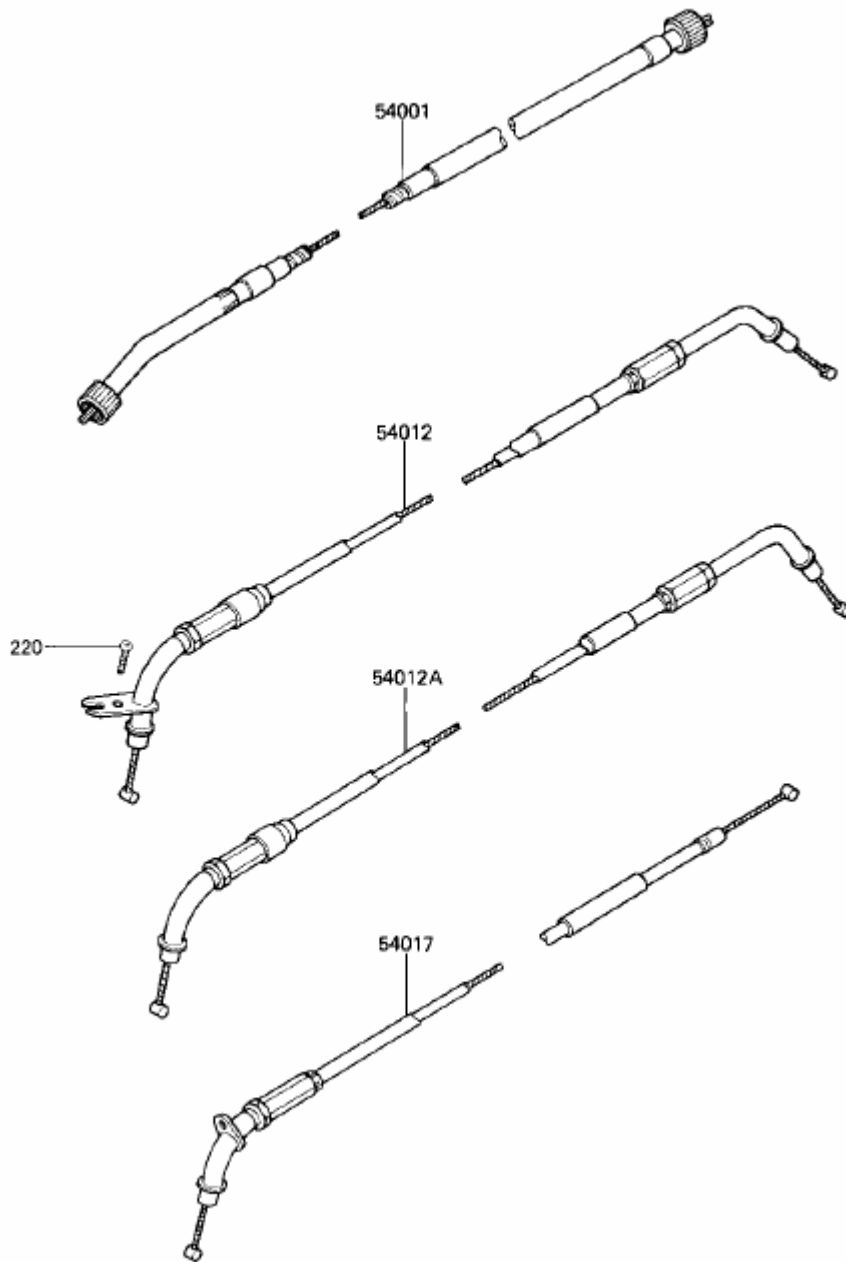


BREATHER COVER-OIL PAN

Ref #	Part #	Description	Qty	Spec	Code
11009	11009-1861	GASKET,BREATHER BODY	1		
11009A	11009-1981	GASKET	1		
11009B	92065-097	GASKET,DRIN PLUG	2		
13169	13169-1967	PLATE,BREATHER	1		
14070	14070-1061	BODY-BREATHER	1		
16165	16165-1053	SEPARATOR,OIL	1		
27010	27010-1155	SWITCH,OIL PRESSURE	1		
27010A	27010-1173	SWITCH	1		
49034	49034-1069	PAN-OIL	1		
92037	92037-1539	CLAMP,WIRING HARNESS	3		
92062	92062-1057	NOZZLE,YELLOW	1		
92066	92066-1174	PLUG,OIL DRAIN,12X15	2		
132	132E0625	BOLT-FLANGED-SMALL	4		
132A	132J0625	BOLT-FLANGED-SMALL	6		
132B	132J0640	BOLT-FLANGED-SMALL	10		
235	235B0610	SCREW-PAN-WP-CROSS	2		
411	411F0600	WASHER PLAIN	3		
671	671B2590	"0" RING,90MM	1		

CABLES

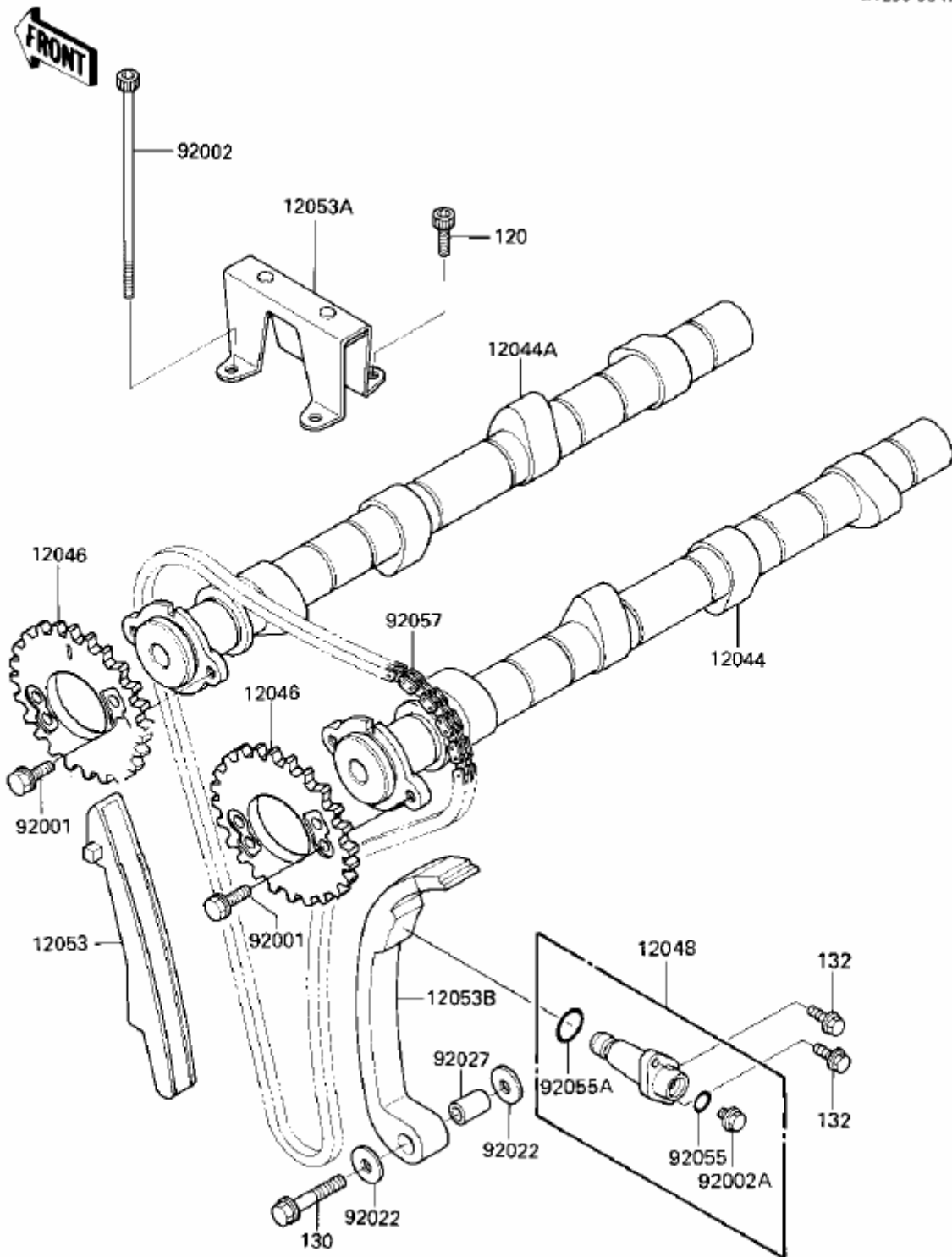
F2540-0243



Ref #	Part #	Description	Qty	Spec	Code
54001	54001-1117	CABLE-SPEEDOMETER	1		
54012	54012-1270	CABLE-THROTTLE, OPENING	1		
54012A	54012-1271	CABLE-THROTTLE, CLOSING	1		
220	220C0514	SCREW-PAN-CROSS, 5X14	1		

CAMSHAFTS-CHAINTENSIONER

E1230-0047

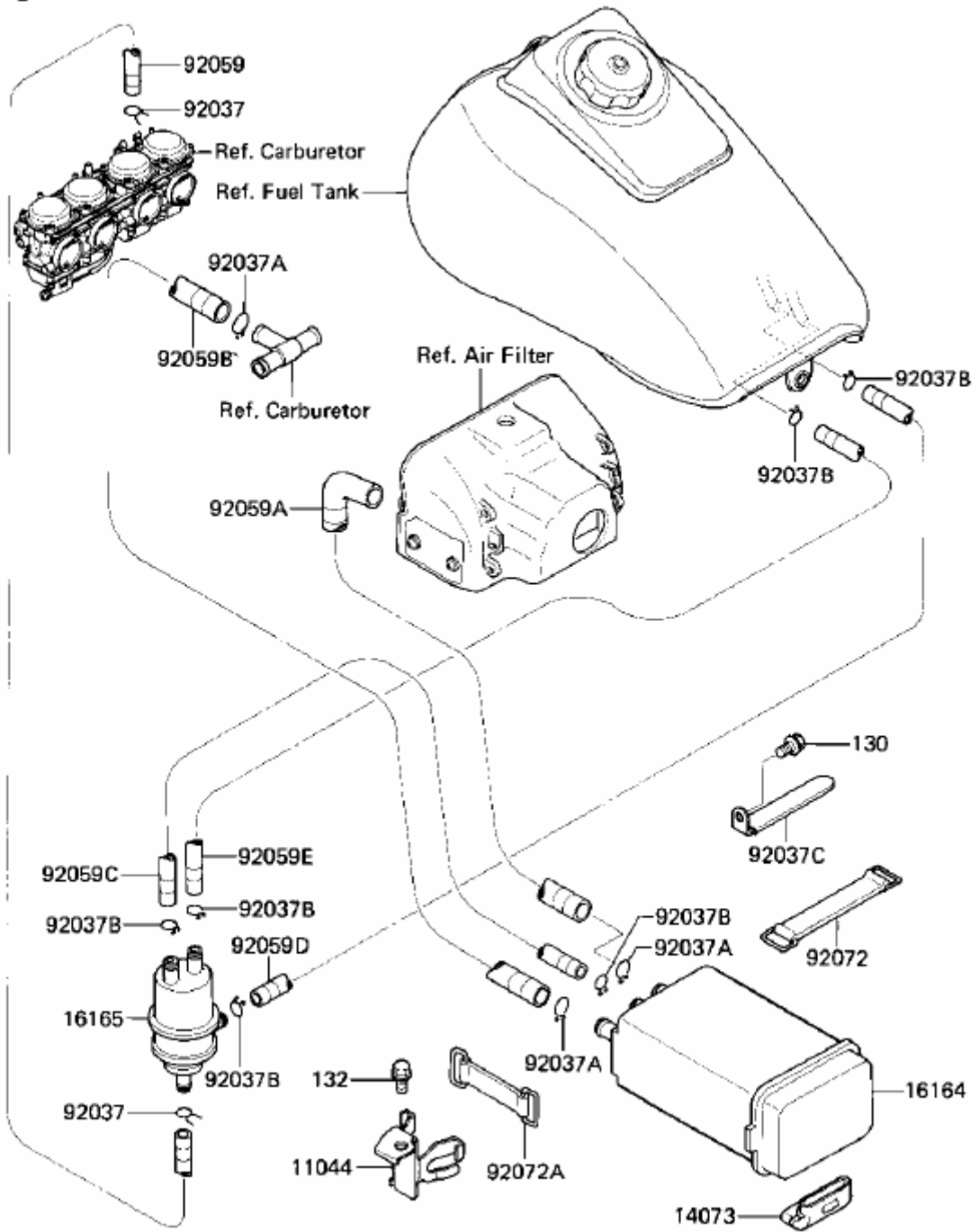


CAMSHAFTS-CHAIN TENSIONER

Ref #	Part #	Description	Qty	Spec	Code
12044	12044-1151	CAMSHAFT-VALVE, INTAKE	1		
12044A	12044-1152	CAMSHAFT-VALVE, EXHAUS	1		
12046	12046-1082	SPROCKET, CAMSHAFT, 34T	2		
12048	12048-1071	TENSIONER-ASSY, CAM CH	1		
12053	12053-1114	GUIDE-CHAIN, FR	1		
12053A	12053-1115	GUIDE-CHAIN, UPP	1		
12053B	12053-1116	GUIDE-CHAIN, RR	1		
92001	92003-208	BOLT, SPROCKET FITTING	4		
92002	92001-1904	BOLT, 6X118	2		
92002A	92002-1302	BOLT	1		
92022	92022-1533	WASHER, 8.2X19X2	2		
92027	92027-1763	COLLAR, 8.2X10.5X15.6	1		
92055	670D2010	O RING	1		
92055A	670D2021	"O" RING, 21MM	1		
92057	92057-1160	CHAIN, CAMSHAFT	1		
120	120P0614	BOLT, 6X14	2		
130	130G0835	BOLT, FLANGED, 8X35	1		
132	132J0625	BOLT-FLANGED-SMALL	2		

CANISTER

E1650-0015

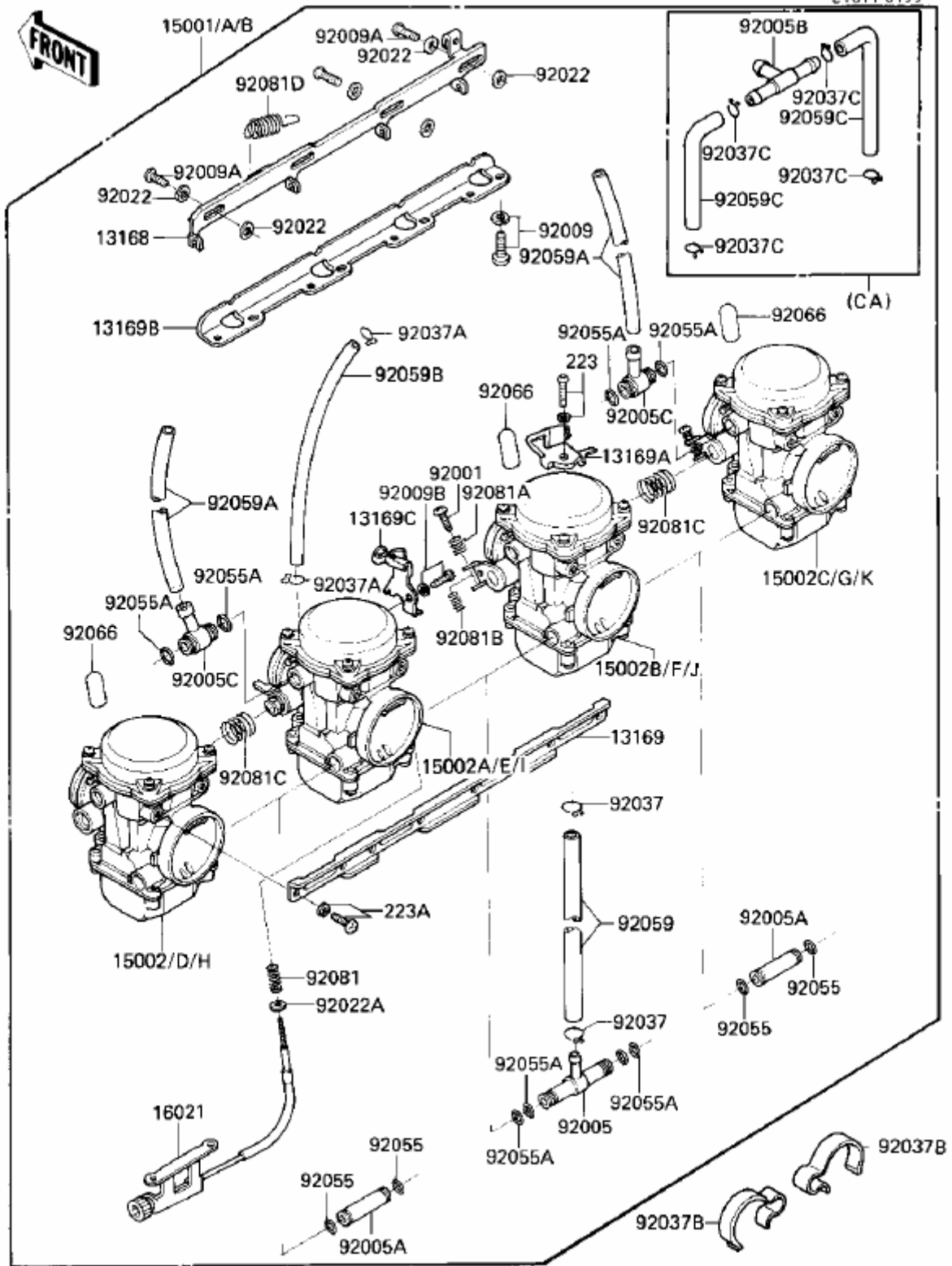


CANISTER

Ref #	Part #	Description	Qty	Spec	Code
11044	11044-1333	BRACKET,SEPARATOR	1		CA
14073	14073-1178	DUCT,CANISTER	1		CA
16164	16164-1052	CANISTER	1		CA
16165	16165-1001	SEPARATOR	1		CA
92037	92037-072	CLAMP-PIPE	2		CA
92037A	92037-1104	CLAMP-HOSE	3		CA
92037B	92037-147	CLAMP,CHAIN OILER	6		CA
92037C	92037-1679	CLAMP	1		CA
92059	92059-1574	TUBE,4X9X640,WHITE	1		CA
92059A	92059-1575	TUBE,7X12X553,GREEN	1		CA
92059B	92059-1576	TUBE,7X12X520,YELLOW	1		CA
92059C	92059-1577	TUBE,5X10X140,BLUE	1		CA
92059D	92059-1650	TUBE,5X10X550,RED	1		CA
92059E	92059-1651	TUBE,5X10X530,BLUE	1		CA
92072	92072-053	BAND-SPARK PLUG COVER	1		CA
92072A	92072-066	BAND,TOOL	1		CA
130	130E0608	BOLT-FLANGED	1		CA
132	132J0608	BOLT-FLANGED-SMALL	1		CA

CARBURETOR ASSY

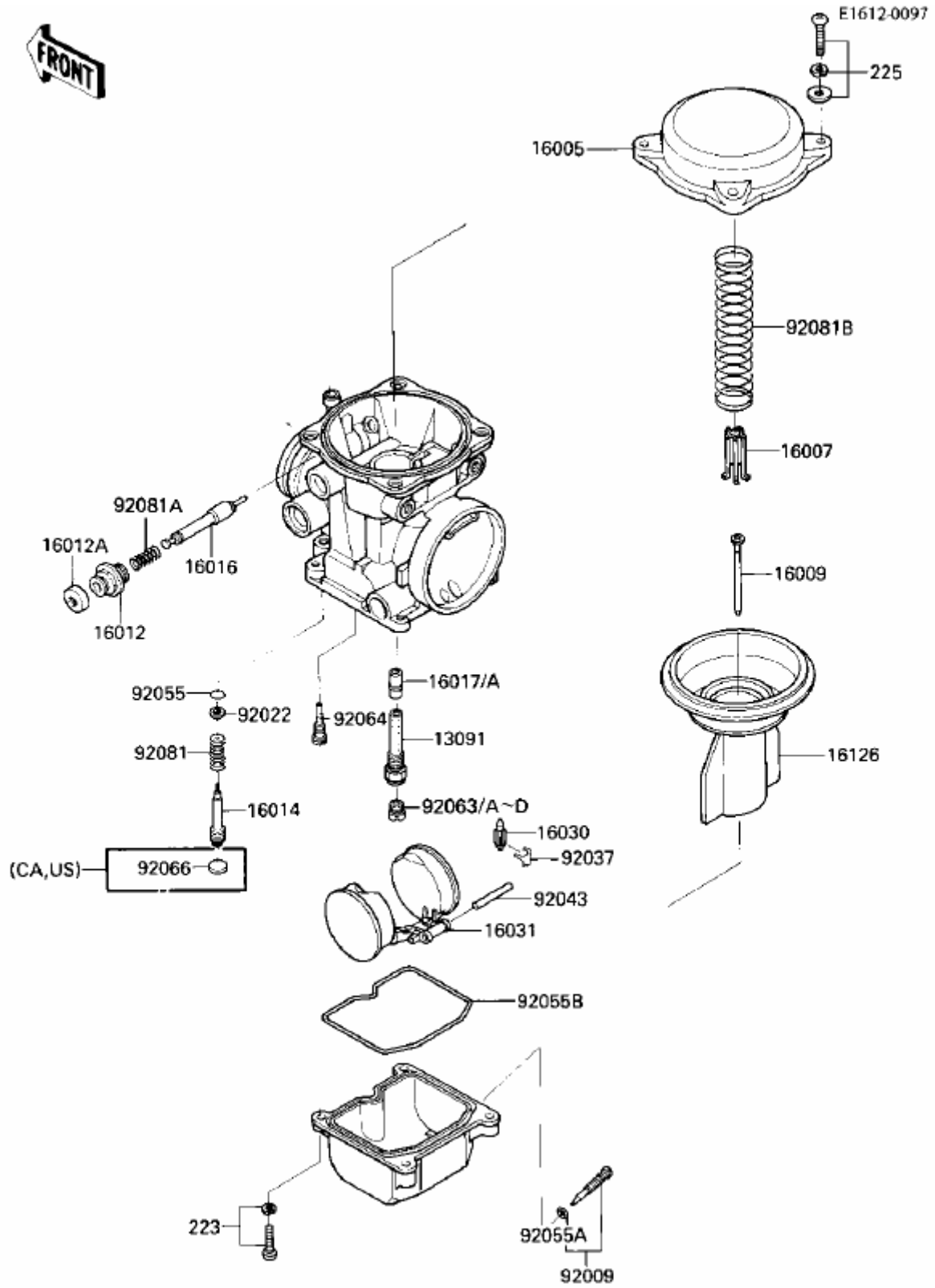
E1611-0199



CARBURETOR ASSY

Ref #	Part #	Description	Qty	Spec	Code
13168	13168-1245	LEVER, STARTER	1		
13169	13169-1869	PLATE, CARBURETOR STAY	1		
13169A	13169-1871	PLATE	1		
13169B	13169-1873	PLATE	1		
13169C	13169-1962	PLATE, THROTTLE CABLE	1		
15001	15001-1175	CARBURETOR-ASSY	1		US
15001A	15001-1176	CARBURETOR-ASSY (Canada)	1		CN
15001B	15001-1177	CARBURETOR-ASSY	1		CN
15002	15002-1181	CARBURETOR, LH, OUTSIDE	1		US
15002A	15002-1182	CARBURETOR, LH, INSIDE	1		US
15002B	15002-1183	CARBURETOR, RH, INSIDE	1		US
15002C	15002-1184	CARBURETOR, RH, OUTSIDE	1		US
15002D	15002-1185	CARBURETOR, LH, OUTSIDE (Canada)	1		CN
15002E	15002-1186	CARBURETOR, LH, INSIDE (Canada)	1		CN
15002F	15002-1187	CARBURETOR, RH, INSIDE (Canada)	1		CN
15002G	15002-1188	CARBURETOR, RH, OUTSIDE (Canada)	1		CN
15002H	15002-1189	CARBURETOR, LH, OUTSIDE	1		CA
15002I	15002-1190	CARBURETOR, LH, INSIDE	1		CA
15002J	15002-1191	CARBURETOR, RH, INSIDE	1		CA
15002K	15002-1192	CARBURETOR, RH, OUTSIDE	1		CA
16021	16021-1101	SCREW-THROTTLE STOP	1		
92001	92001-1998	BOLT, THROTTLE ADJUST	3		
92005	92005-1108	FITTING, FUEL, T-TYPE	1		
92005A	92005-1109	FITTING, FUEL, I-TYPE	2		
92005B	92005-1135	FITTING, T-TYPE	1		CA
92005C	92005-1125	FITTING, T-TYPE	2		
92009	92009-1129	SCREW, 6X16	8		
92009A	92009-1262	SCREW	3		
92009B	92009-1365	SCREW	1		
92022	92022-1199	WASHER, 6.1X11X0.8, POL	6		
92022A	92022-1480	WASHER, PLAIN, STOP SPR	1		
92037	92037-1075	CLAMP, FUEL INLET TUBE	2		
92037A	92037-1142	CLAMP, TUBE, OVERFLOW	2		
92037B	92037-1552	CLAMP	2		
92037C	92037-1606	CLAMP, TUBE	4		CA
92055	92055-1004	"O" RING	4		
92055A	92055-1223	RING-O, FUEL FITTING	8		
92059	92059-1236	TUBE, FUEL	1		
92059A	92059-1633	TUBE, 6.5X9.5X190	2		CN, US
92059B	92059-1634	TUBE, 5X9X140	1		
92059C	92059-1635	TUBE	2		CA
92066	92068-006	RUBBER PLUG	1		US
92081	92081-1617	SPRING, THROTTLE STOP	1		
92081A	92081-1620	SPRING, THROTTLE ADJUSTER	3		
92081B	92081-1621	SPRING, THROTTLE ADJUSTER	3		
92081C	92081-1622	SPRING, THROTTLE ADJUSTER	2		
92081D	92081-1762	SPRING, STARTER LEVER	1		
223	223C042D	UNAVAILABLE IN PRICE BOOK	1		
223A	223C0510	SCREW-PAN-WS-CROS	8		

CARBURETOR PARTS

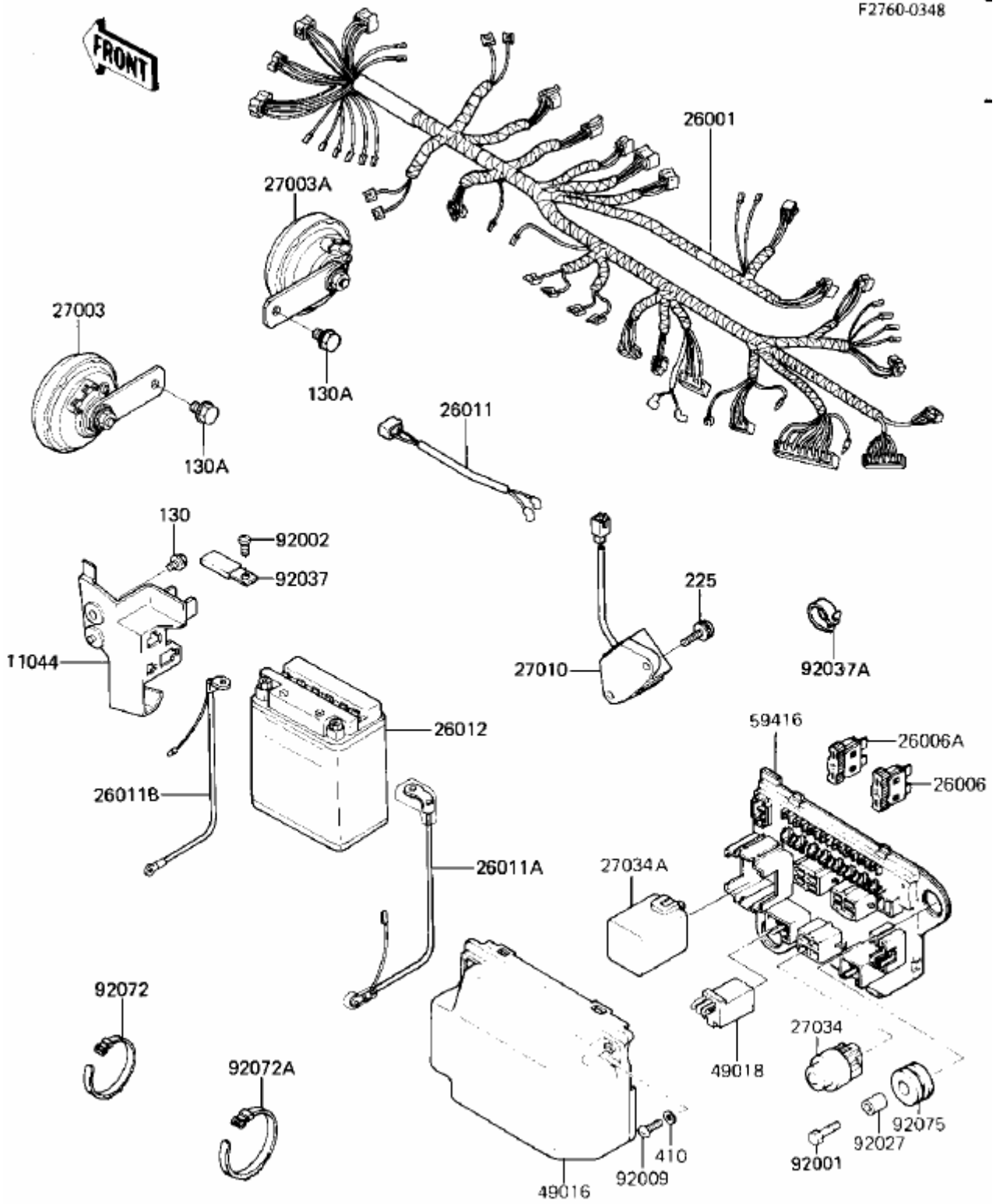


CARBURETOR PARTS

Ref #	Part #	Description	Qty	Spec	Code
13091	13091-1347	HOLDER,NEEDLE JET	4		
16005	16005-1056	TOP-CHAMBER	4		
16007	16007-1120	SEAT-SPRING	4		
16009	16009-1271	NEEDLE-JET,N27N	4		
16012	16012-1051	CAP-STARTER PLUNGER	4		
16012A	16012-1052	CAP-STARTER PLUNGER	4		
16014	16014-1054	SCREW-PILOT AIR	4		
16016	16016-1061	PLUNGER,STARTER	4		
16017	16017-1279	JET-NEEDLE (Canada)	4		CN
16017A	16017-1288	JET-NEEDLE,01D32	4		CA,US
16030	16030-1007	FLOAT VALVE	4		
16031	16031-1056	FLOAT	4		
16126	16126-1160	VALVE,VACUUM	4		
92009	92009-1095	SCREW,DRAIN	4		
92022	92022-1003	WASHER,PLAIN	4		
92037	16044-007	CLIP,FLOAT VALVE	4		
92043	92043-1148	PIN,FLOAT	4		
92055	92055-1002	O RING,PILOT ADJ	4		
92055A	92055-1053	"O" RING,DRAIN SCREW	4		
92055B	92055-1222	RING-O,FLOAT CHAMBER	4		
92063	92063-1069	MAIN JET,2ND,#125	4		
92063A	92063-1072	MAIN JET,2ND,#120	4		
92063B	92063-1073	MAIN JET,2ND,#122	4		
92063C	92063-1074	MAIN JET,2ND,#128	4		
92063D	92063-1075	MAIN JET,2ND,#130	4		
92064	92064-1101	JET-PILOT,#35	4		
92066	92066-1051	PLUG,PILOT SCREW	4		CA,US
92081	92081-1002	SPRING,PILOT ADJ SCREW	4		
92081A	92081-1761	SPRING,STARTER PLUNGE	4		
92081B	92081-1925	SPRING,VACUUM VALVE	4		
223	223C0416	SCREW-PAN-WS-CROSS	16		
225	225C0418	SCREW-PAN-WSP-CROSS	15		

CHASSIS ELECTRICAL EQUIPMENT

F2760-0348

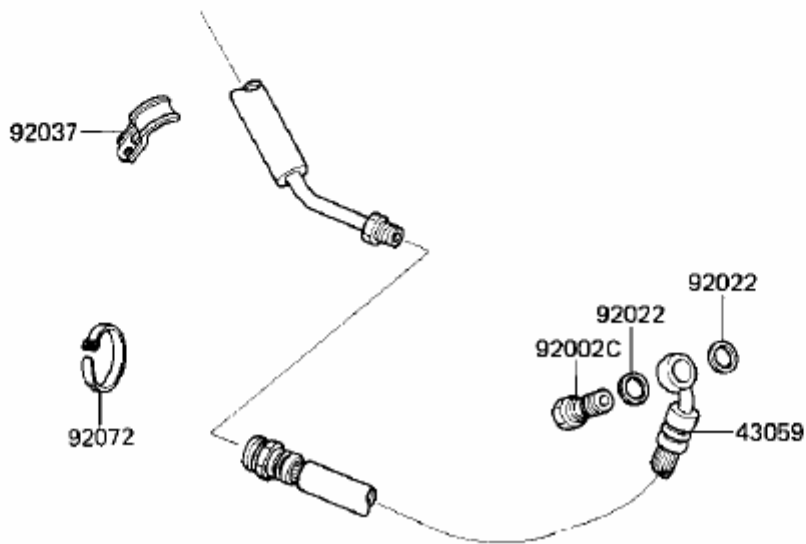
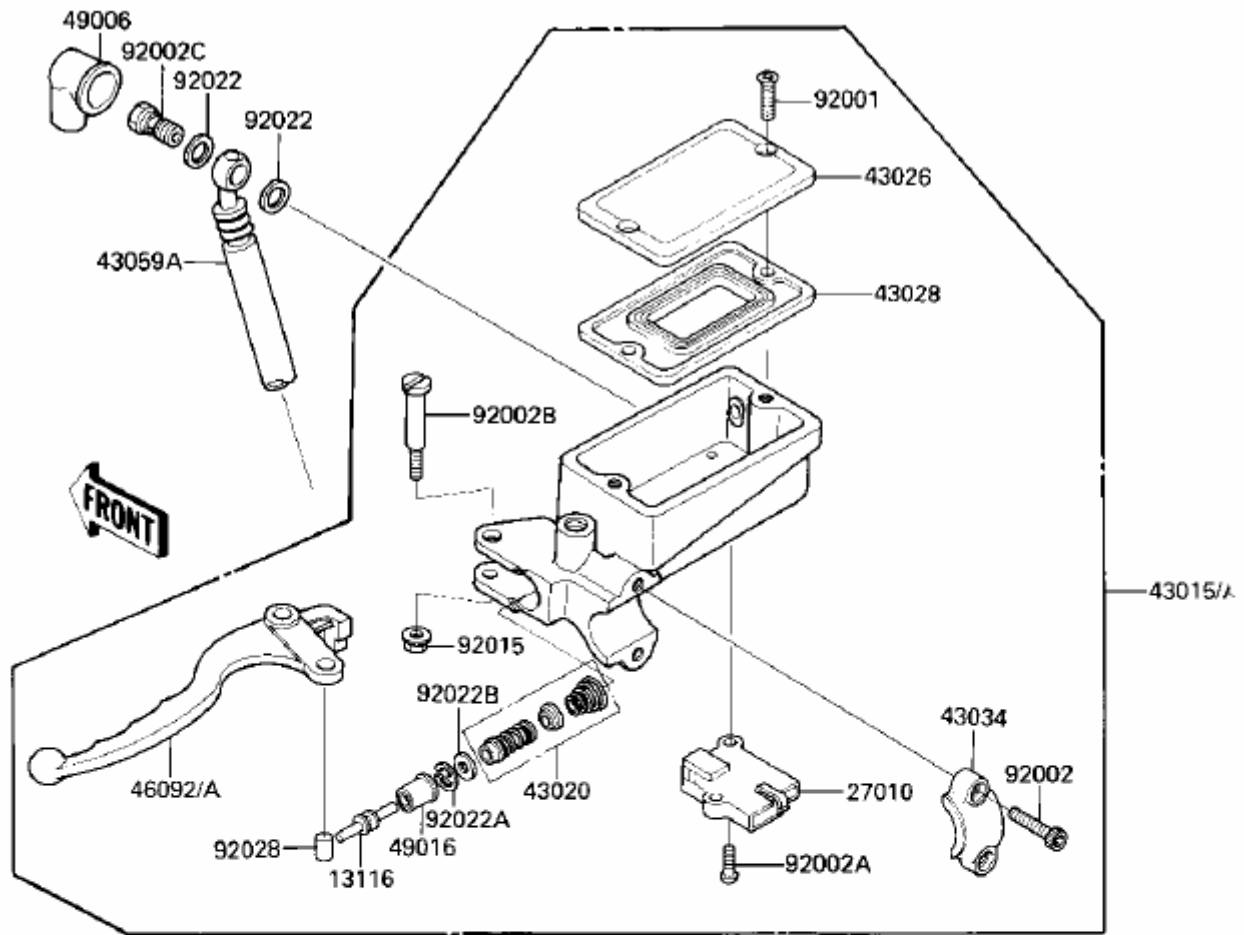


CHASSIS ELECTRICAL EQUIPMENT

Ref #	Part #	Description	Qty	Spec	Code
11044	11045-1385	BRACKET,RELAY&COUPLER	1		
26001	26001-1731	HARNESS,MAIN	1		
26006	26006-1006	FUSE,30A-G	2		
26006A	26006-1007	FUSE,10A-R	1		
26011	26011-1313	WIRE-LEAD,BRAKE SWITCH	1		
26011A	26011-1329	WIRE-LEAD,BATTERY(+)	1		
26011B	26011-1330	WIRE-LEAD,BATTERY(-)	1		
26012	26012-1008	YUA BAT YB14L-A2	1		
27003	27003-1229	HORN,LH	1		
27003A	27003-1230	HORN,RH	1		
27010	27010-1069	SWITCH,RESERVE LIGHTING	1		
27034	27034-1006	RELAY,STARTER	3		
27034A	27034-1007	RELAY,FLASHER	1		
49016	49016-1050	COVER-SEAL	1		
49018	49018-1006	DIODE	2		
59416	59416-1056	CASE-ELECTRIC	1		
92001	92002-1262	BOLT,6X22	2		
92002	92002-1351	BOLT	1		
92009	92009-1021	SCREW,TAPPING,4X10	2		
92027	92027-162	COLLAR,REAR FENDER	2		
92037	92037-1069	CLAMP,WIRING HARNESS	2		
92037A	92037-1163	CLAMP	1		
92072	92072-030	BAND,SHORT	2		
92072A	92072-056	BAND,WIRING HARNESS	4		
92075	92075-1562	DAMPER	2		
130	130B0608	BOLT,FLANGED,6X8	2		
130A	130C0812	BOLT-FLANGED,8X12,BLACK	2		
225	225B0620	SCREW-PAN-WSP-CROSS	2		
410	410B0400	WASHER PLAIN 4MM	2		

CLUTCH MASTER CYLINDER

F2380-0002

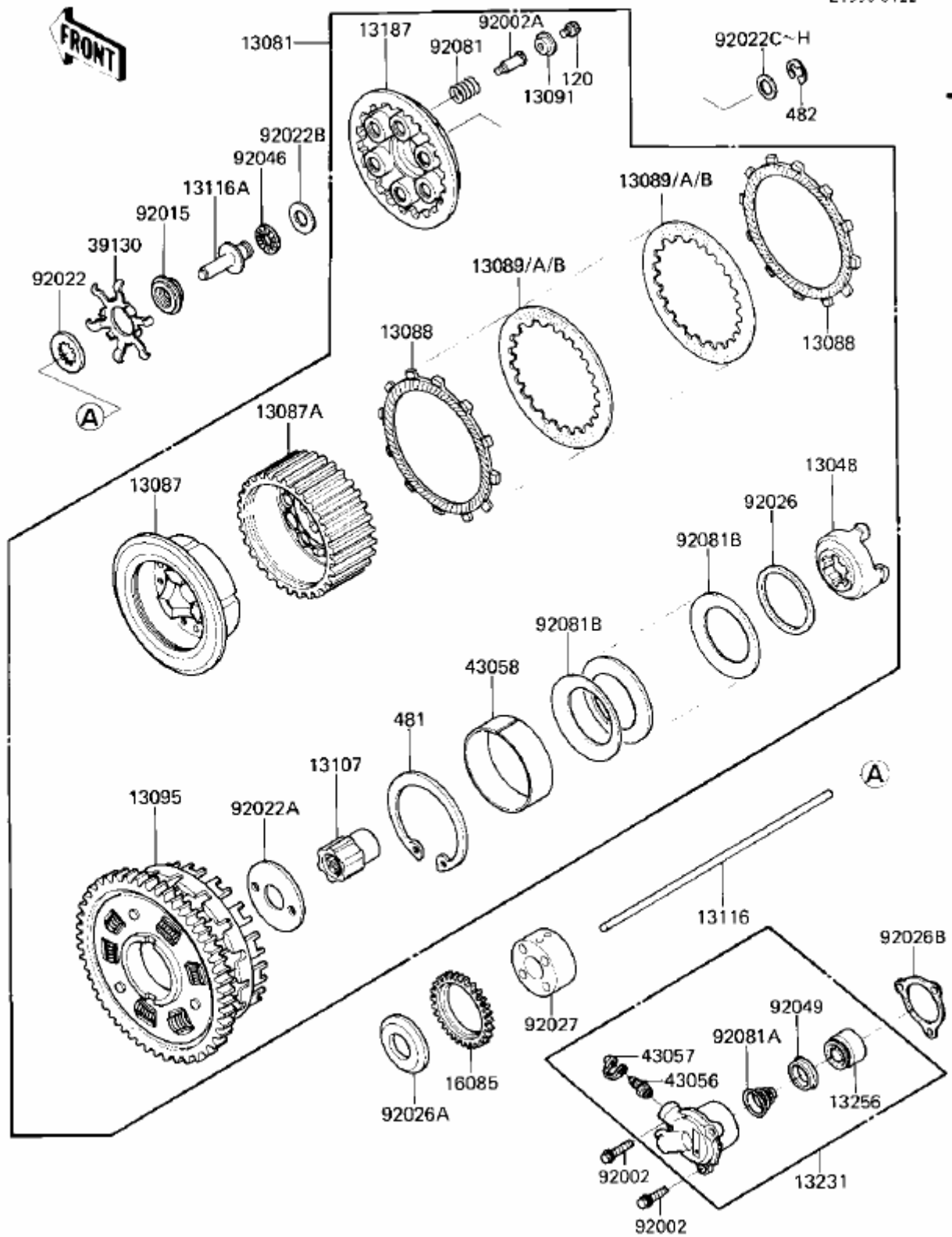


CLUTCH MASTER CYLINDER

Ref #	Part #	Description	Qty	Spec	Code
13116	13116-1110	ROD-PUSH,MASTER CYLINDER	1		
27010	27010-1171	SWITCH,CLUTCH	1		
43015	43015-1306	CYLINDER-ASSY-MASTER,	1		
43015A	43015-1306	CYLINDER-ASSY-MASTER,	1		
43020	43020-1055	PISTON-COMP-BRAKE,CLUTCH	1		
43026	43026-1052	CAP-BRAKE,FR	1		
43028	43028-1058	DIAPHRAGM,MASTER CYLINDER	1		
43034	43034-1054	HOLDER-BRAKE,MASTER CYL	1		
43059	43059-1308	HOSE-BRAKE	1		
43059A	43059-1309	HOSE-BRAKE	1		
46092	46092-1129	LEVER-GRIP,CLUTCH	1		
46092A	46092-1129	LEVER-GRIP,CLUTCH	1		
49006	49006-1041	BOOT,DUST	1		
49016	49016-1044	COVER-SEAL,MASTER CYL	1		
92001	92001-1727	BOLT,MASTER CYLINDER	2		
92002	92002-1324	BOLT,SOCKET,6X10	2		
92002A	92002-1325	BOLT	1		
92002B	92002-1561	BOLT,LEVER SET	1		
92002C	92002-1593	BOLT	2		
92015	92015-1528	NUT,FLANGED,6MM	1		
92022	43067-001	WASHER-OIL BOLT	4		
92022A	92022-1605	WASHER,PISTON	1		
92022B	92022-1606	WASHER,PISTON	1		
92028	92028-1310	BUSHING,MASTER CYLINDER	1		
92037	92037-1687	CLAMP	1		
92072	92072-1190	BAND	1		

CLUTCH

E1350-0122

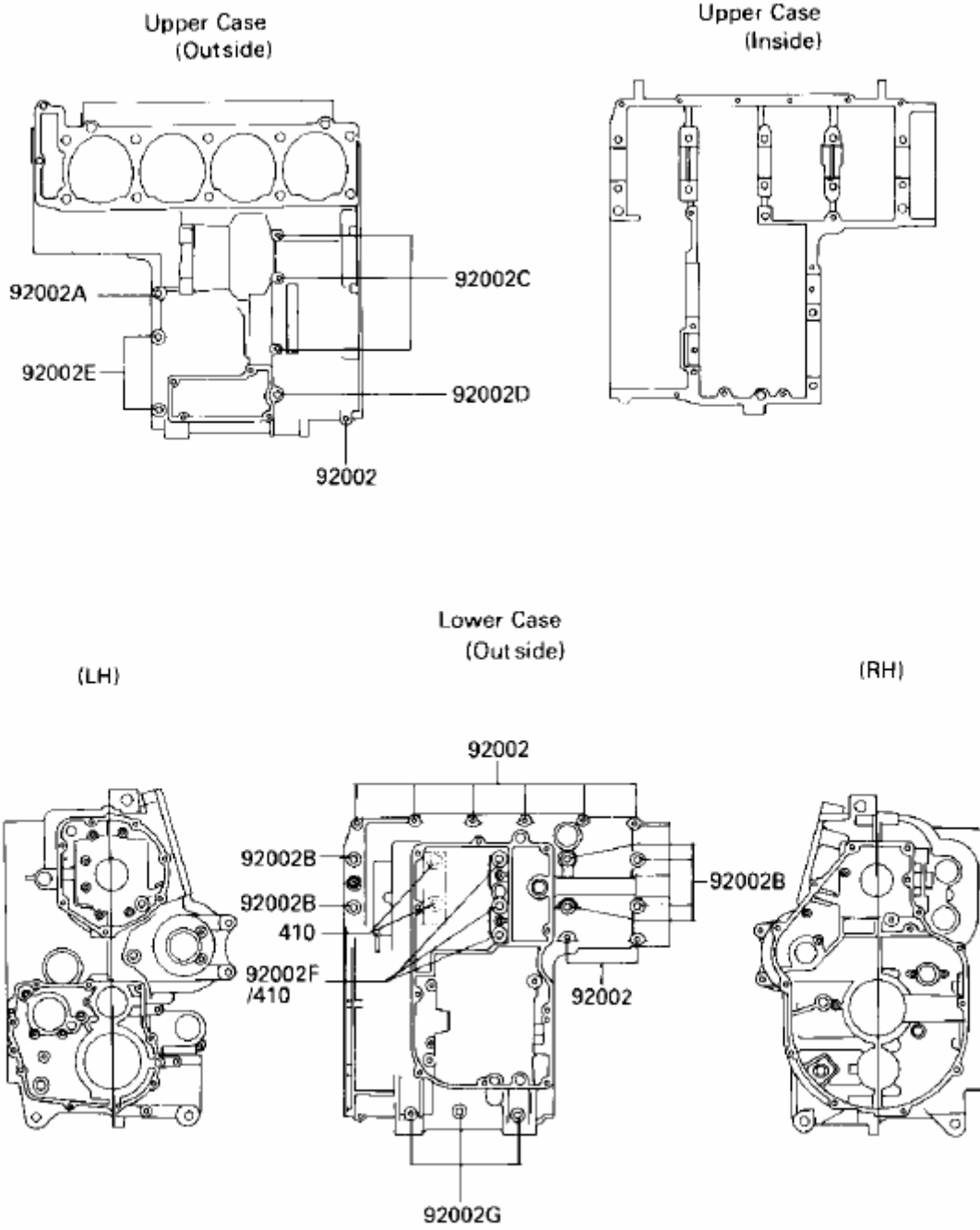


CLUTCH

Ref #	Part #	Description	Qty	Spec	Code
13048	13048-1007	DAMPER	1		
13081	13081-1221	CLUTCH-ASSY	1		
13087	13087-1071	HUB-CLUTCH	1		
13087A	13087-1072	HUB-CLUTCH	1		
13088	13088-1051	PLATE-FRICTION	9		
13089	13089-1004	PLATE,CLUTCH,STEEL	AR		
13089A	13089-1067	PLATE-CLUTCH,T=2.6	AR		
13089B	13089-1068	PLATE-CLUTCH,T=2.0	AR		
13091	13091-1041	HOLDER,CLUTCH,SPRING	6		
13095	13095-1146	HOUSING-COMP-CLUTCH	1		
13107	13107-1161	SHAFT,BEVEL GEAR,FR	1		
13116	13116-1118	ROD-PUSH,CLUTCH	1		
13116A	13116-1119	ROD-PUSH,CLUTCH	1		
13187	13187-1055	PLATE-CLUTCH OPERATING	1		
13231	13231-1067	RELEASE-ASSY-CLUTCH	1		
13256	13256-1052	PISTON	1		
16085	16085-1108	GEAR,OIL PUMP	1		
39130	39130-1054	SPRING-LEAF	1		
43056	43056-1052	BREATHER-BRAKE	1		
43057	43057-1001	CAP-BREATHER	1		
43058	43058-1059	RING	1		
92002	92002-1613	BOLT	3		
92002A	92002-1639	BOLT,CLUTCH	6		
92015	92015-1538	NUT	1		
92022	92022-1114	WASHER,LOCK	1		
92022A	92022-1221	WASHER,CLUTCH THRUST	1		
92022B	92022-1463	WASHER,15.1X29X1.0	1		
92022C	92022-1750	WASHER	AR		
92022D	92022-1751	WASHER	AR		
92022E	92022-1752	WASHER	AR		
92022F	92022-1753	WASHER	AR		
92022G	92022-1754	WASHER	AR		
92022H	92022-1755	WASHER	AR		
92026	92026-1043	SPACER,3.5X59X70	1		
92026A	92026-5001	SPACER	1		
92026B	92026-1263	SPACER,CLUTCH RELEASE	1		
92027	92027-1710	COLLAR	1		
92046	92046-1052	BEARING-NEEDLE,AXK110	1		
92049	92049-1165	SEAL-OIL,PISTON	1		
92081	92081-1114	SPRING,CLUTCH	6		
92081A	92081-1644	SPRING,CLUTCH RELEASE	1		
92081B	92081-1906	SPRING	7		
120	120S0616	BOLT-SOCKET,6X16,BLACK	6		
481	481J9500	CIRCLIP	1		
482	482J0200	CIRCLIP-TYPE-E,12MM	1		

CRANKCASE BOLT PATTERN

E1412.0030

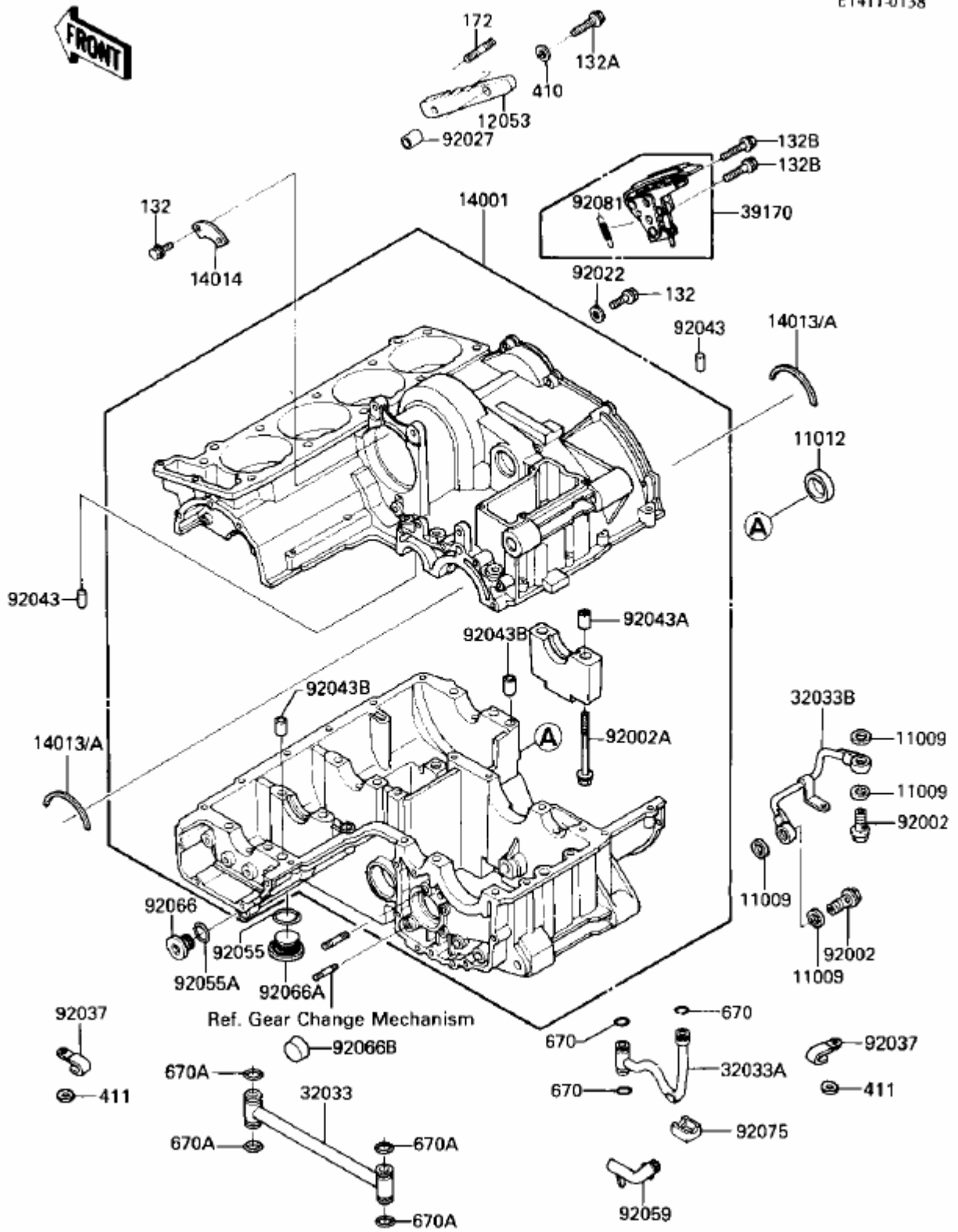


CRANKCASE BOLT PATTERN

Ref #	Part #	Description	Qty	Spec	Code
92002	92001-1899	BOLT,6X38	9		
92002A	92002-1054	BOLT,6X55	1		
92002B	92002-1057	BOLT,8X90	6		
92002C	92150-1140	BOLT	3		
92002D	92002-1306	BOLT	1		
92002E	92002-1308	BOLT	2		
92002F	92150-1164	BOLT,6X120	3		
92002G	92002-1654	BOLT	3		
410	410B0800	WASHER PLAIN 8MM	5		

CRANKCASE

E1411-0138

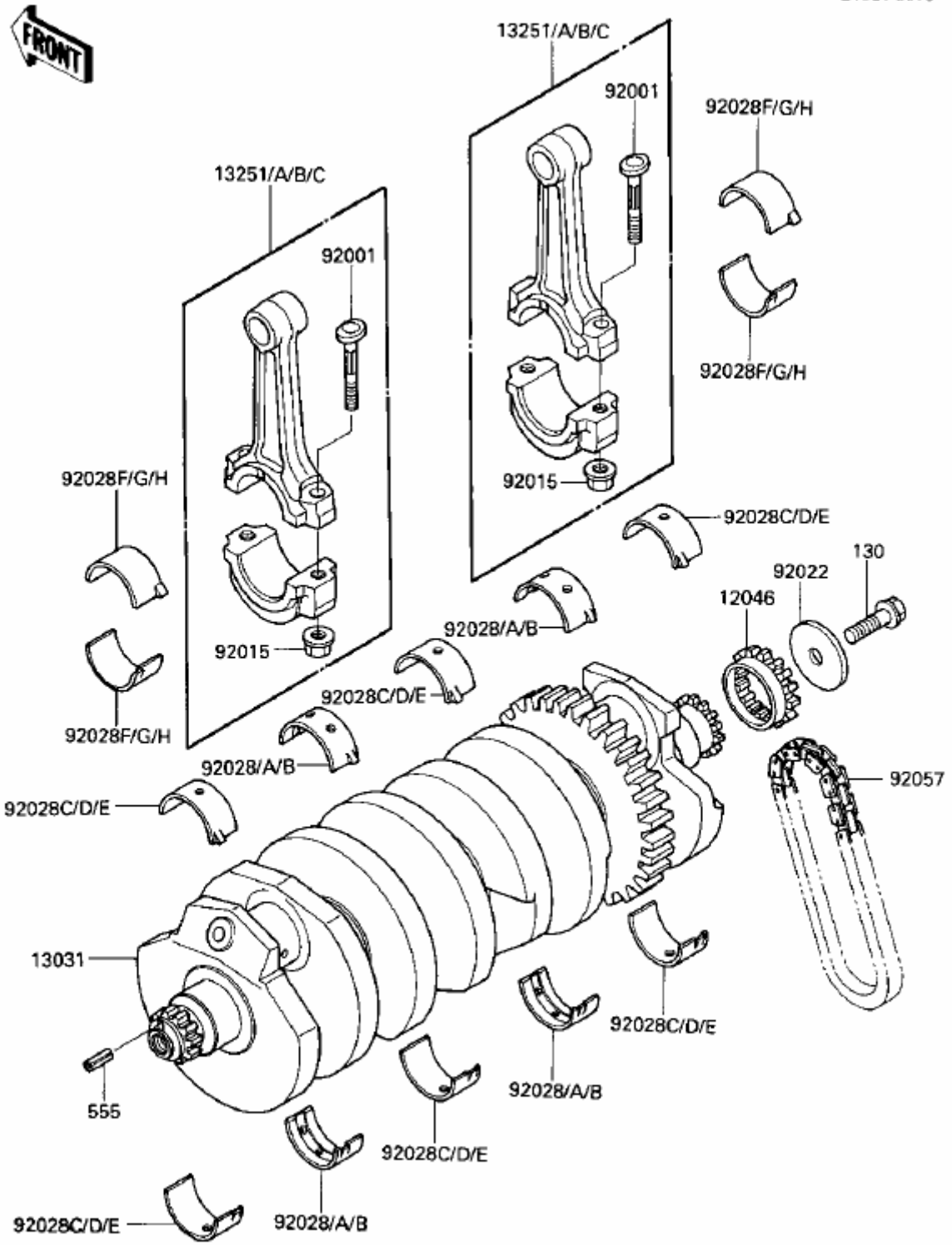


CRANKCASE

Ref #	Part #	Description	Qty	Spec	Code
11009	11009-1376	GASKET,12.4X17X1.5	4		
11012	11012-1454	CAP	1		
12053	12053-1138	GUIDE-CHAIN	1		
14001	14004-5190	UNAVAILABLE IN PRICE BOOK	1		
14013	14013-1005	RING-POSITION	2		
14013A	14013-1006	RING-POSITION	2		
14014	14014-1056	PLATE-POSITION	1		
32033	32033-1201	PIPE,MAIN GALLARY	1		
32033A	32033-1202	PIPE	1		
32033B	32033-1961	PIPE	1		
39170	39170-1053	TENSIONER-COMP	1		
92002	92001-1871	BOLT,BANJO,12X23	2		
92002A	92002-1649	BOLT	2		
92022	92022-1517	WASHER,6X19.5X2	1		
92027	92027-1079	COLLAR,8X15	1		
92037	92037-1539	CLAMP,WIRING HARNESS	2		
92043	92042-016	PIN DOWEL 6MM	2		
92043A	92042-031	PIN,DOWEL,12MM	2		
92043B	92043-1037	PIN,DOWEL,10X8.2X14	2		
92055	92055-1136	RING-O,25.7X2.4	1		
92055A	92055-1146	RING-O	1		
92059	92059-1508	TUBE	1		
92066	92066-1096	PLUG,MAIN GALLARY,18X	1		
92066A	92066-1161	PLUG,25X8	1		
92066B	92066-1204	PLUG,BALANCER	1		
92075	92075-1785	DAMPER	1		
92081	92081-1668	SPRING	1		
132	132G0612	BOLT-FLANGED-SMALL	3		
132A	132G0625	BOLT-FLANGED-SMALL	1		
132B	132G0630	BOLT-FLANGED-SMALL	2		
172	172G0616	STUD 6X16	1		
410	410B0600	WASHER PLAIN 6MM	1		
411	411F0600	WASHER PLAIN	2		
670	670D1509	O RING	3		
670A	670D2016	O RING	4		

CRANKSHAFT

E1321-0076

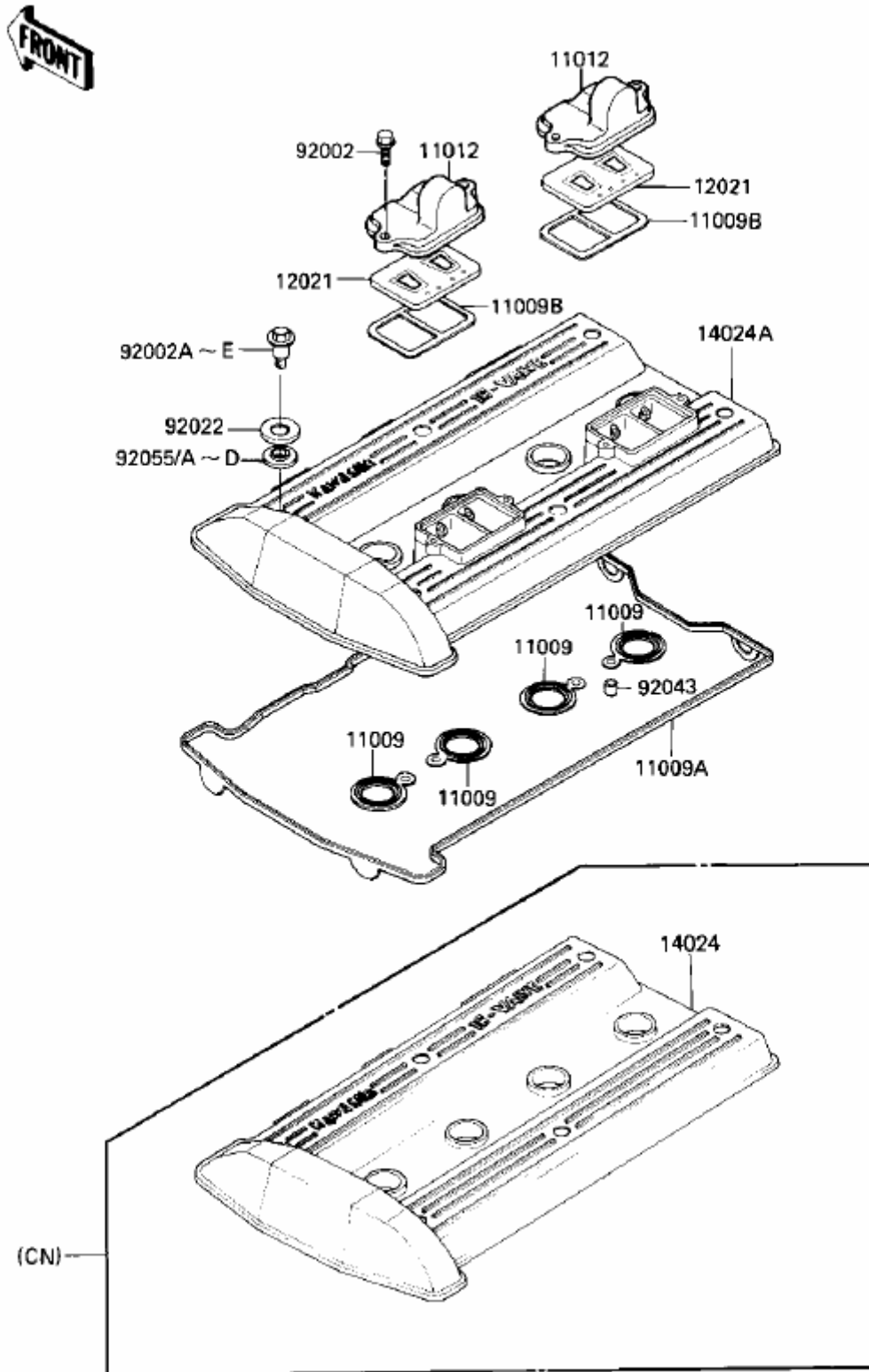


CRANKSHAFT

Ref #	Part #	Description	Qty	Spec	Code
12046	12046-1067	SPROCKET, 21T	1		
13031	13031-1332	CRANKSHAFT-COMP	1		
13251	13251-1052-JJ	ROD-ASSY-CONNECTING, J	4		
13251A	13251-1052-JJ	ROD-ASSY-CONNECTING, J	4		
13251B	13251-1052-JJ	ROD-ASSY-CONNECTING, J	4		
13251C	13251-1052-JJ	ROD-ASSY-CONNECTING, J	4		
92001	92001-1887	BOLT, CONNECTING ROD, 8	8		
92015	92015-1311	NUT, FLANGED, 8MM	8		
92022	92022-1633	WASHER, 8.5X36X4	1		
92028	92028-1100	BUSHING, CRANKSHAFT	AR		
92028A	92028-1101	BUSHING, CRANKSHAFT	AR		
92028B	92028-1102	BUSHING, CRANKSHAFT	AR		
92028C	92028-1272	BUSHING, CRANKSHAFT, BL	AR		
92028D	92028-1273	BUSHING, CRANKSHAFT, BL	AR		
92028E	92028-1274	BUSHING, CRANKSHAFT, BR	AR		
92028F	92028-1321	BUSHING, CONNECTING RO	AR		
92028G	92028-1322	BUSHING, CONNECTING RO	AR		
92028H	92028-1323	BUSHING, CONNECTING RO	AR		
92057	92057-1292	CHAIN	1		
130	130G0825	BOLT-FLANGED, 8X25	1		
555	555A0410	PIN-SPRING	1		

CYLINDER HEAD COVER

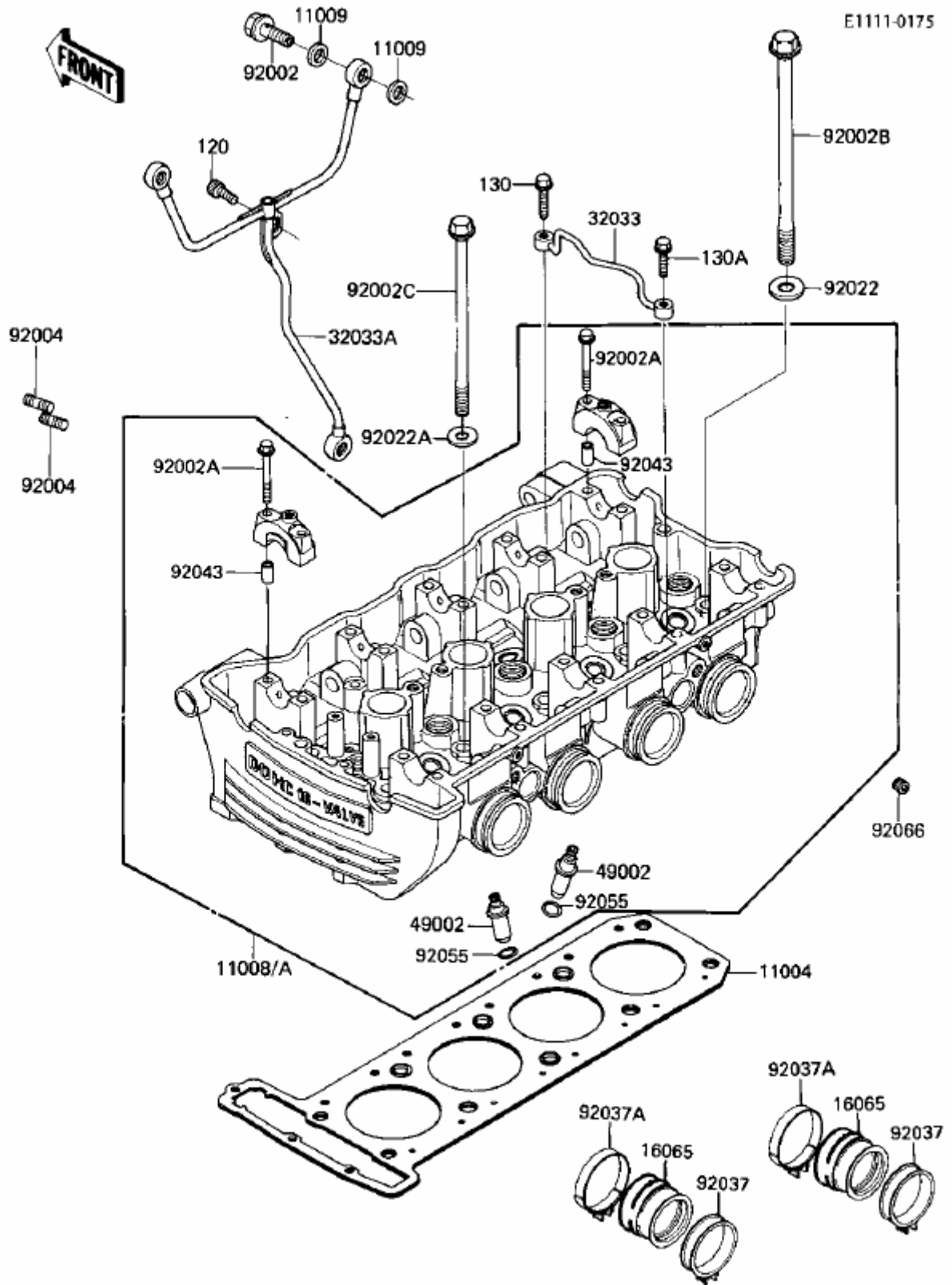
E1112-0084



CYLINDER HEAD COVER

Ref #	Part #	Description	Qty	Spec	Code
11009	11009-1377	GASKET	4		
11009A	11009-1378	GASKET,CYLINDER HEAD	1		
11009B	11009-1905	GASKET,REED VALVE	2		CA,US
11012	11012-1476	CAP,REED VALVE	2		CA,US
12021	12021-1053	VALVE-ASSY-REED	2		CA,US
14024	14024-1082	COVER,CYLINDER HEAD (Canada)	1		CN
14024A	14024-1138	COVER,CYLINDER HEAD	1		CA,US
92002	92002-1068	BOLT,6X22	4		CA,US
92002A	92150-1447	BOLT	6		
92002B	92150-1447	BOLT	6		CA,US
92002C	92150-1447	BOLT	6		CN
92002D	92002-1595	BOLT,HEAD COVER	6		CA,US
92002E	92002-1595	BOLT,HEAD COVER	6		CN
92022	92022-1487	WASHER,HEAD COVER BOLT	6		
92043	92043-1302	PIN,DOWEL,8X10	4		CA,US
92055	92055-1225	RING-O,HEAD COVER BOLT	6		
92055A	92055-1225	RING-O,HEAD COVER BOLT	6		CA,US
92055B	92055-1225	RING-O,HEAD COVER BOLT	6		CN
92055C	92055-1314	RING-O,HEAD COVER BOLT	6		CA,US
92055D	92055-1314	RING-O,HEAD COVER BOLT	6		CN

CYLINDER HEAD

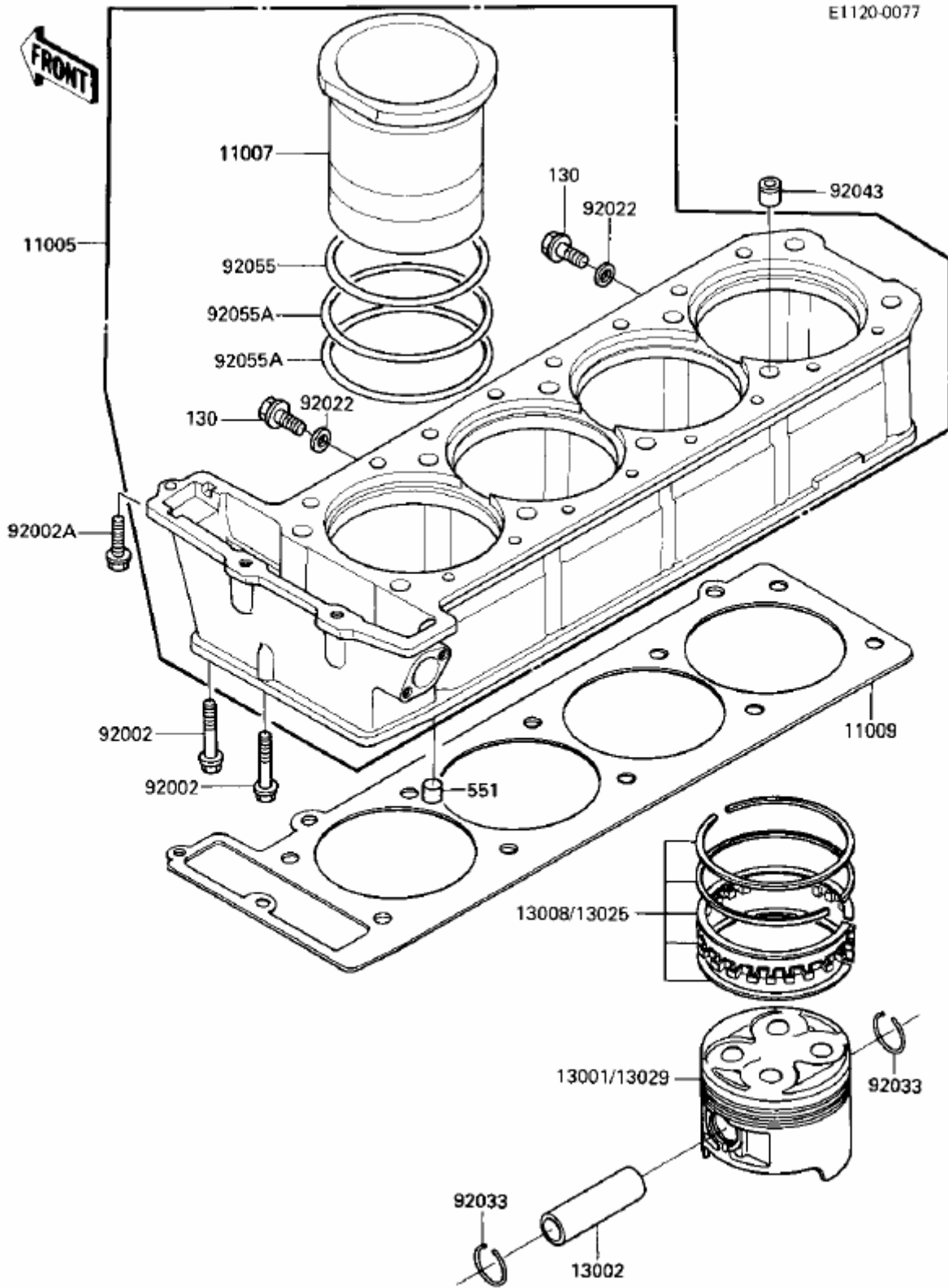


CYLINDER HEAD

Ref #	Part #	Description	Qty	Spec	Code
11004	11004-1143	GASKET-HEAD	1		
11008	11008-1177	HEAD-COMP-CYLINDER	1		CA,US
11008A	11008-1178	HEAD-COMP-CYLINDER (Canada)	1		CN
11009	11009-1376	GASKET,12.4X17X1.5	6		
16065	16065-1134	HOLDER-CARBURETOR	4		
32033	32102-1423	PIPE,CYLINDER HEAD	2		
32033A	32033-1850	PIPE,OIL PAN-HEAD	1		
49002	49002-1052	GUIDE-VALVE	16		
92002	92001-1871	BOLT,BANJO,12X23	3		
92002A	92001-1872	BOLT,6X46	20		
92002B	9200Y-1886	UNAVAILABLE IN PRICE BOOK	4		
92002C	92002-1486	BOLT,11X164	6		
92004	92004-1116	STUD,10X158	8		
92022	92022-1591	WASHER,10.5X20X1.6	4		
92022A	92022-1720	WASHER	6		
92037	92037-1304	CLAMP,ID=53,BLACK	4		
92037A	92037-1523	CLAMP	4		
92043	92042-007	PIN-DOWEL	20		
92055	92055-1265	RING-O,11.7MM	16		
92066	92066-1201	PLUG	2		
120	120S0610	BOLT-SOCKET	1		
130	130G0630	BOLT,FLANGED,6X30	2		
130A	130J0625	BOLT-FLANGED,6X25	2		

CYLINDER-PISTONS

E1120-0077

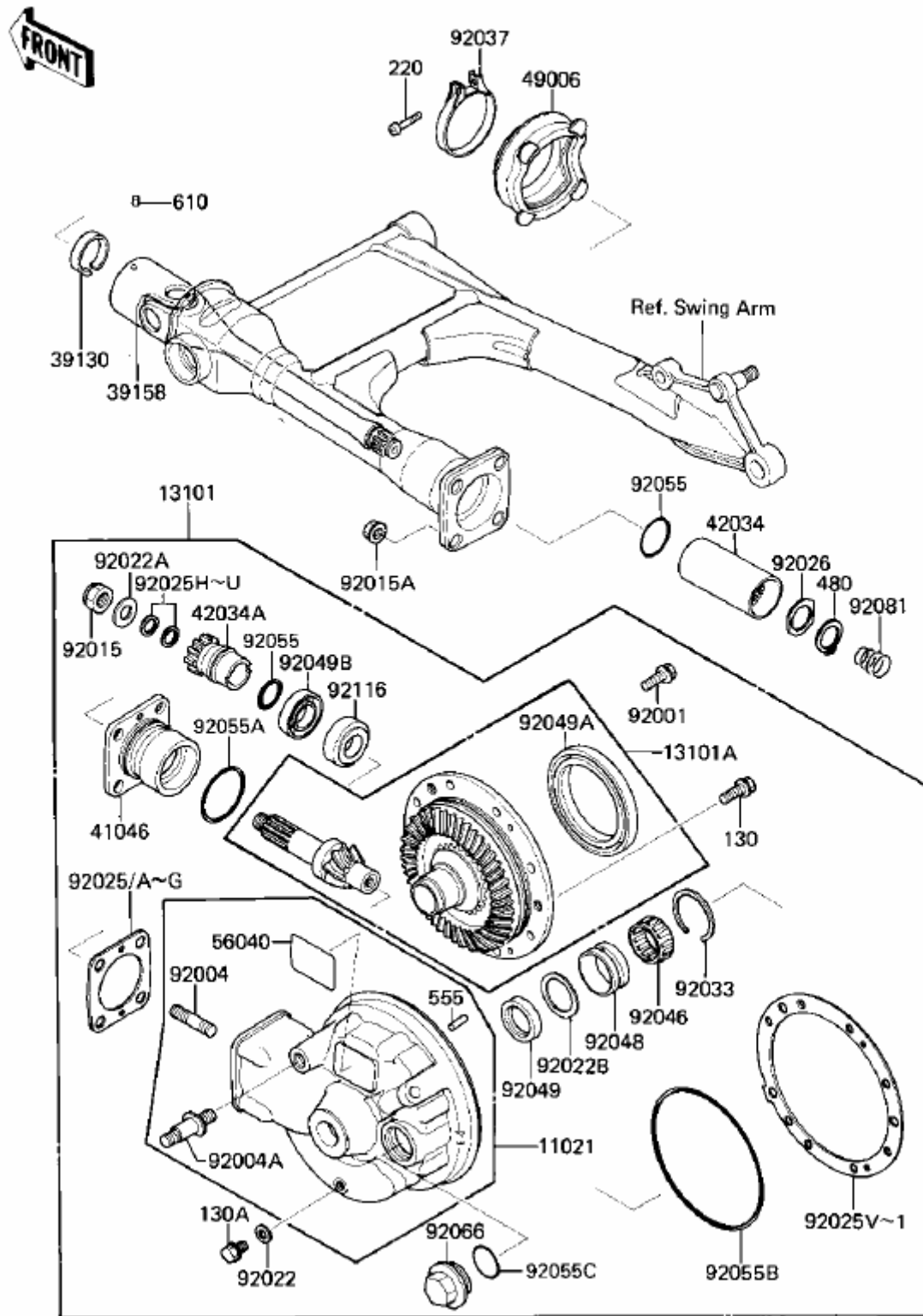


CYLINDER-PISTONS

Ref #	Part #	Description	Qty	Spec Code
11005	11005-1447	CYLINDER-ENGINE	1	
11007	11007-1063	LINER-CYLINDER	4	
11009	11009-1505	GASKET,CYLINDER BASE	1	
13001	13001-1205	PISTON-ENGINE,STD	4	
13002	13002-1023	PIN-PISTON,12X18X57.2	4	
13008	13008-1053	RING-SET-PISTON,STD	4	
13025	13025-1053	RING-SET PISTON L,O/S	4	
13029	13029-1142	PISTON-ENGINE L,O/S 0	4	
92002	92001-1899	BOLT,6X38	2	
92002A	92002-1138	BOLT,6X30	1	
92022	92022-304	WASHER,PLAIN	2	
92033	92033-1099	RING-SNAP,18MM	8	
92043	92043-1279	PIN,11.5X14X14	2	
92055	92055-1229	RING-O,78MM	4	
92055A	92055-1230	RING-O,79.5MM	8	
130	130C0610	BOLT-FLANGED,6X10,BLACK	2	
551	551A1012	PIN-DOWEL	2	

DRIVE SHAFT-FINAL GEARS

E3132-0012



DRIVE SHAFT-FINAL GEARS

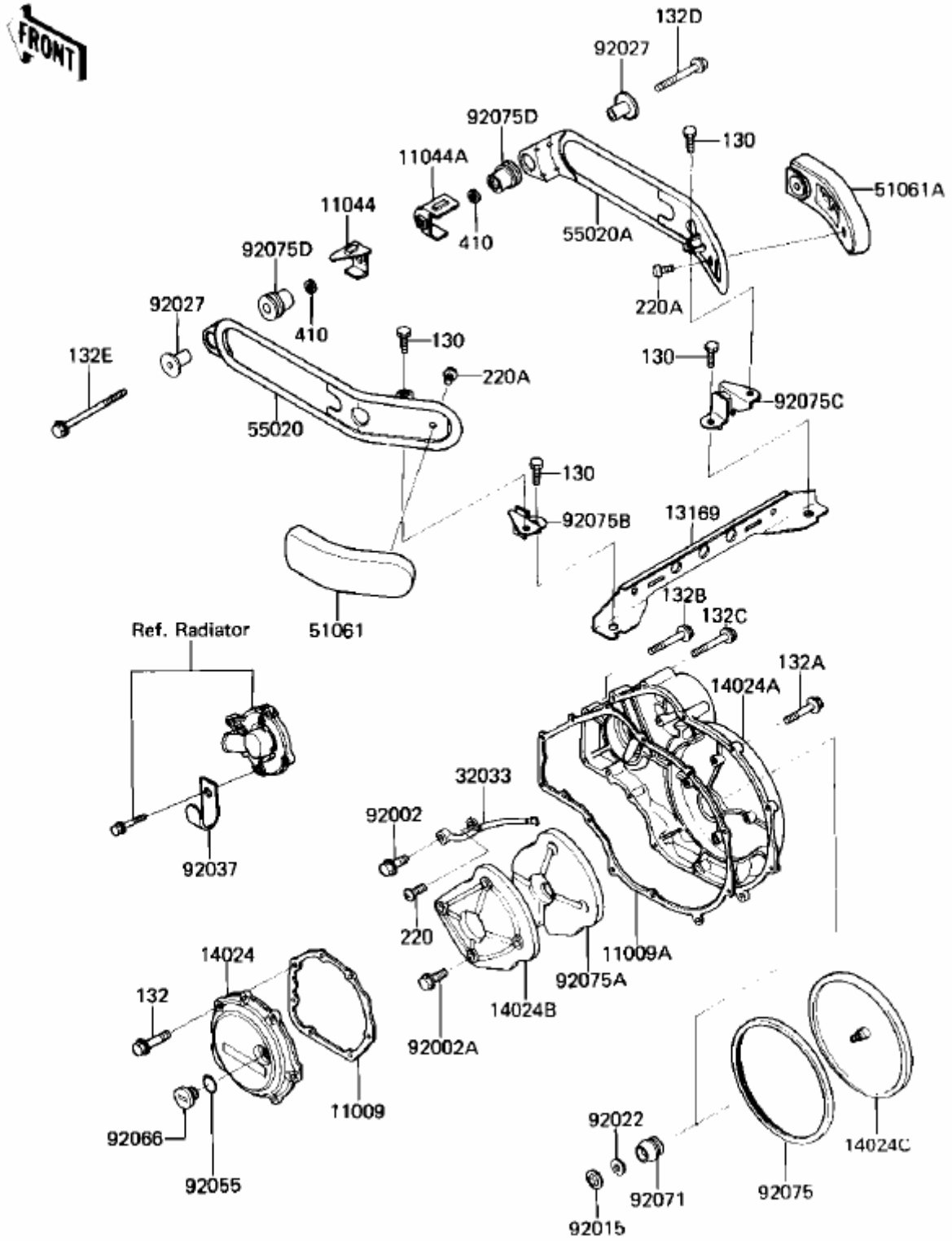
Ref #	Part #	Description	Qty	Spec Code
11021	11021-1057-F2	CASE-ASSY,FINAL GEAR,	1	
13101	13101-1070-F2	GEAR-ASSY,FINAL,G.SIL	1	
13101A	13101-5051	GEAR-ASSY,REAR BEVEL	1	
39130	39130-1002	SPRING,LEAF	1	
39158	39158-1061	SHAFT-ASSY-DRIVE	1	
41046	41046-1069	HOUSING-BEARING,BLACK	1	
42034	42034-1092	COUPLING,PROPELLER SHAF	1	
42034A	42034-1079	COUPLING	1	
49006	49006-1059	BOOT,PROPELLER SHAFT	1	
56040	56040-1047	LABEL,HYPOID GEAR OIL	1	
92001	92001-1778	BOLT,FLANGED,10X23	1	
92004	92004-1045	STUD,10X30,BLACK	4	
92004A	92004-1047	STUD,RR SHOCKABSORBER	1	
92015	92015-1059	NUT,16M/M	1	
92015A	92015-1180	NUT,FLANGED,10MM,BLACK	4	
92022	92022-1086	WASHER	1	
92022A	92022-1105	WASHER	1	
92022B	92022-1294	WASHER,39X49.5X1	1	
92025	92025-1052	SHIM,0.15T	AR	
92025A	92025-1053	SHIM,0.50T	AR	
92025B	92025-1054	SHIM,0.60T	AR	
92025C	92025-1055	SHIM,0.70T	AR	
92025D	92025-1056	SHIM,0.80T	AR	
92025E	92025-1057	SHIM,0.90T	AR	
92025F	92025-1058	SHIM,1.00T	AR	
92025G	92025-1059	SHIM,1.20T	AR	
92025H	92025-1214	SHIM,T=1.30	AR	
92025I	92025-1215	SHIM,T=1.32	AR	
92025J	92025-1216	SHIM,T=1.34	AR	
92025K	92025-1217	SHIM,T=1.36	AR	
92025L	92025-1218	SHIM,T=1.38	AR	
92025M	92025-1219	SHIM,T=0.10	AR	
92025N	92025-1220	SHIM,T=0.20	AR	
92025O	92025-1221	SHIM,T=0.30	AR	
92025P	92025-1222	SHIM,T=0.50	AR	
92025Q	92025-1223	SHIM,T=0.60	AR	
92025R	92025-1224	SHIM,T=0.70	AR	
92025S	92025-1225	SHIM,T=0.80	AR	
92025T	92025-1226	SHIM,T=0.90	AR	
92025U	92025-1227	SHIM,T=1.00	AR	
92025V	92025-1625	SHIM,T=0.10	AR	
92025W	92025-1626	SHIM	AR	
92025X	92025-1627	SHIM	AR	
92025Y	92025-1628	SHIM	AR	
92025Z	92025-1629	SHIM	AR	
920250	92025-1630	SHIM	AR	
920251	92025-1631	SHIM	AR	
92026	92026-1085	SPACER,PROPELLER SHAFT	1	
92033	92033-1074	RING-SNAP,52MM	1	
92037	92037-1112	CLAMP,BOOT FITTING	1	
92046	92046-1057	BEARING-NEEDLE,KTV384	1	
92048	92048-1019	RACE,ORT465021E01	1	
92049	92049-1025	OIL SEAL	1	

DRIVE SHAFT-FINAL GEARS

92049A	92049-1026	OIL SEAL,S-901159HS	1
92049B	92049-1033	OIL SEAL,SC32487	1
92055	92055-1037	"0" RING,I.D=32.7MM	2
92055A	92055-1038	"0" RING,I.D=57.6MM	1
92055B	92055-1165	RING-O,154MM	1
92055C	92055-1281	RING-O,35.8MM	1
92066	92066-1006-7J	PLUG,OIL FILLER CAP,M	1
92081	92081-1183	SPRING,PROPELLER SHAFT	1
92116	92116-1004	BRG,ROLLER,4T-32005	1
130	130G0825	BOLT-FLANGED,8X25	7
130A	130X0812	BOLT-FLANGED	1
220	220B0430	SCREW-PAN-CROS	1
480	480J2600	CIRCLIP 26MM	1
555	555A0428	PIN-SPRING	1
610	610A0406	PIN-DOWEL,4X6	1

ENGINE COVERS-GUARDS

E1431-0175

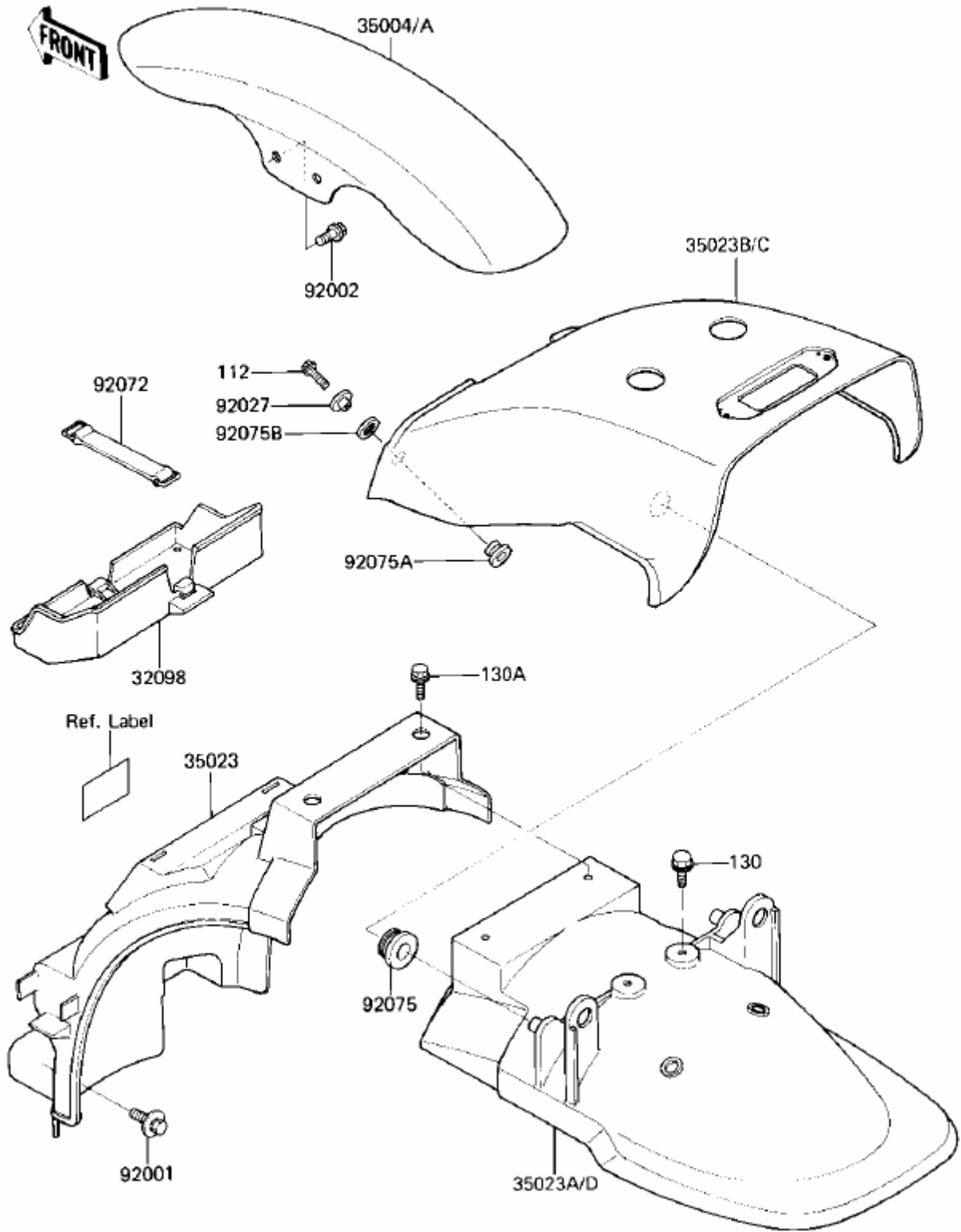


ENGINE COVERS-GUARDS

Ref #	Part #	Description	Qty	Spec Code
11009	11009-1863	GASKET,COVER,LH	1	
11009A	11009-1860	GASKET,CLUTCH COVER	1	
11044	11044-1291	BRACKET,LH	1	
11044A	11044-1292	BRACKET,RH	1	
13169	13169-1956	PLATE,GUARD	1	
14024	14024-1066	COVER,LH	1	
14024A	14024-1067	COVER,CLUTCH	1	
14024B	14025-1740	COVER,SOUND ARRESTER	1	
14024C	14025-1814	COVER,CLUTCH COVER	1	
32033	32033-1204	PIPE,CLUTCH COVER	1	
51061	51061-1051	PAD-KNEE,LH	1	
51061A	51061-1052	PAD-KNEE,RH	1	
55020	55020-1201	GUARD,LH	1	
55020A	55020-1202	GUARD,RH	1	
92002	92001-1855	BOLT,BANJO,8X20	1	
92002A	92002-1449	BOLT,6X10	4	
92015	92018-004	NUT,LOCK,5MM	1	
92022	92022-104	WASHER PL 5.5X20X1.2	1	
92027	92027-1956	COLLAR	2	
92037	92037-1069	CLAMP,WIRING HARNESS	1	
92055	92055-1146	RING-O	1	
92066	92066-1218	PLUG,COVER,LH	1	
92071	92071-1108	GROMMET,CLUTCH COVER	1	
92075	92075-1594	DAMPER,CLUTCH COVER	1	
92075A	92075-1708	DAMPER,SOUND	1	
92075B	92075-1756	DAMPER	1	
92075C	92075-1757	DAMPER	1	
92075D	92075-1779	DAMPER	2	
130	130J0610	BOLT-FLANGED	4	
132	132J0620	BOLT-FLANGED-SMALL	7	
132A	132J0625	BOLT-FLANGED-SMALL	6	
132B	132J0640	BOLT-FLANGED-SMALL	4	
132C	132J0655	BOLT-FLANGED-SMALL	2	
132D	132J0860	BOLT-FLANGED-SMALL,8X	1	
132E	132J0890	BOLT-FLANGED-SMALL	1	
220	220B0910	UNAVAILABLE IN PRICE BOOK	1	
220A	220C0608	SCREW-PAN-CROS,6X8	2	
410	410B0800	WASHER PLAIN 8MM	2	

FENDERS

F2170-0303

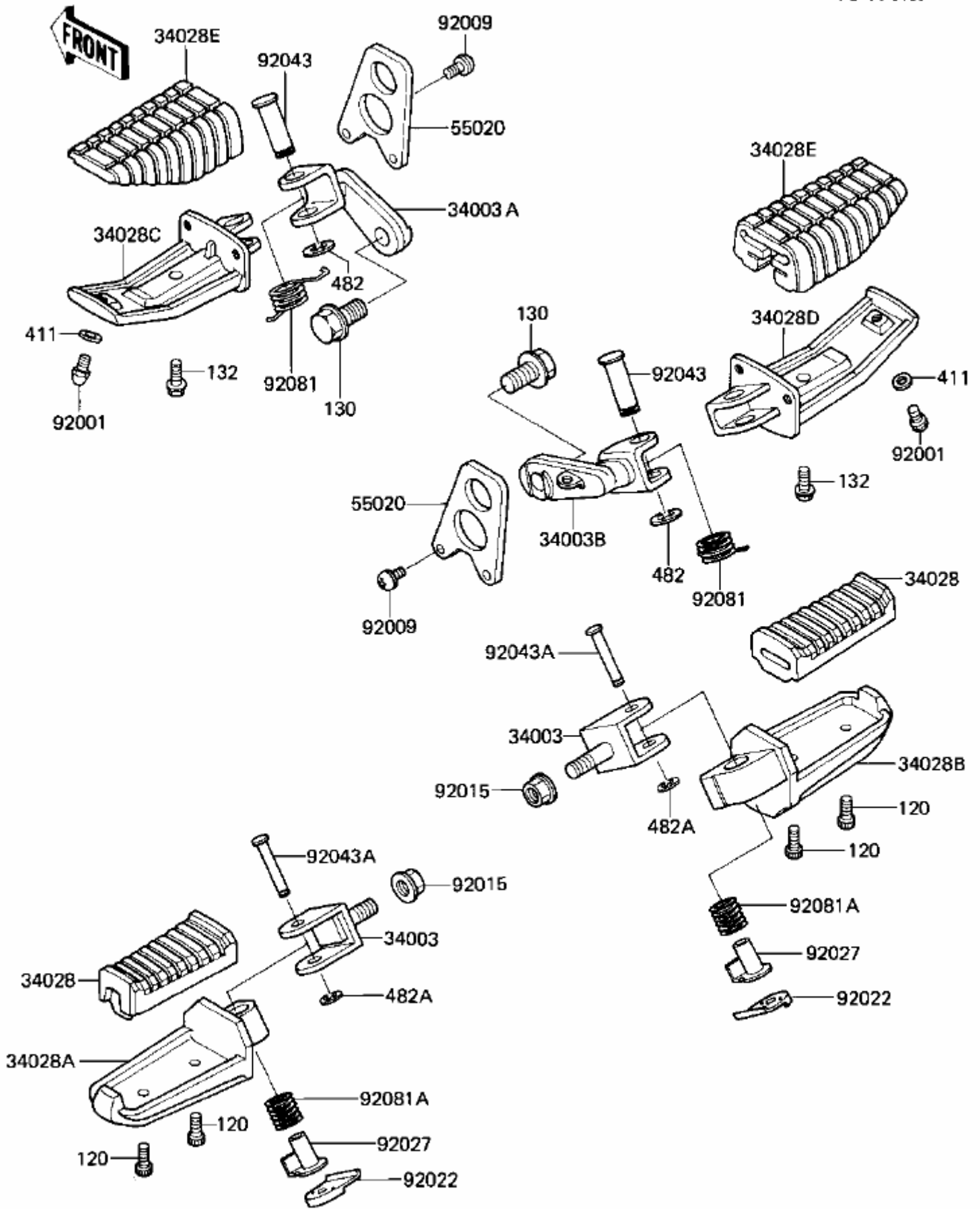


FENDERS

Ref #	Part #	Description	Qty	Spec Code
32098	32098-1066	CASE-TOOL	1	
35004	35004-1175-H8	FENDER-FRONT, EBONY	1	
35004A	35004-1175-7V	FENDER-FRONT, L. RED	1	
35023	35023-1141	FENDER-REAR, FR	1	
35023A	35023-1142	FENDER-REAR, RR	1	
35023B	35023-1143-H8	FENDER-REAR, UPP, EBONY	1	
35023C	35023-1143-7V	FENDER-REAR, UPP, L. RED	1	
35023D	35023-1154-H8	FENDER-REAR, RR, EBONY	1	
92001	92001-1763	BOLT, W/SP, 6X16	2	
92002	92002-1200	BOLT, FLANGED, 8X16	4	
92027	92027-251	COLLAR	2	
92072	92072-053	BAND-SPARK PLUG COVER	1	
92075	92075-1057	DAMPER	2	
92075A	92075-174	RUBBER, FENDER COVER	2	
92075B	92075-175	DAMPER RUBBER	2	
112	112B0622	BOLT 6X22	2	
130	130B0614	BOLT	2	
130A	130B0620	BOLT, FLANGED, 6X20	2	

FOOTRESTS

F2160-0139

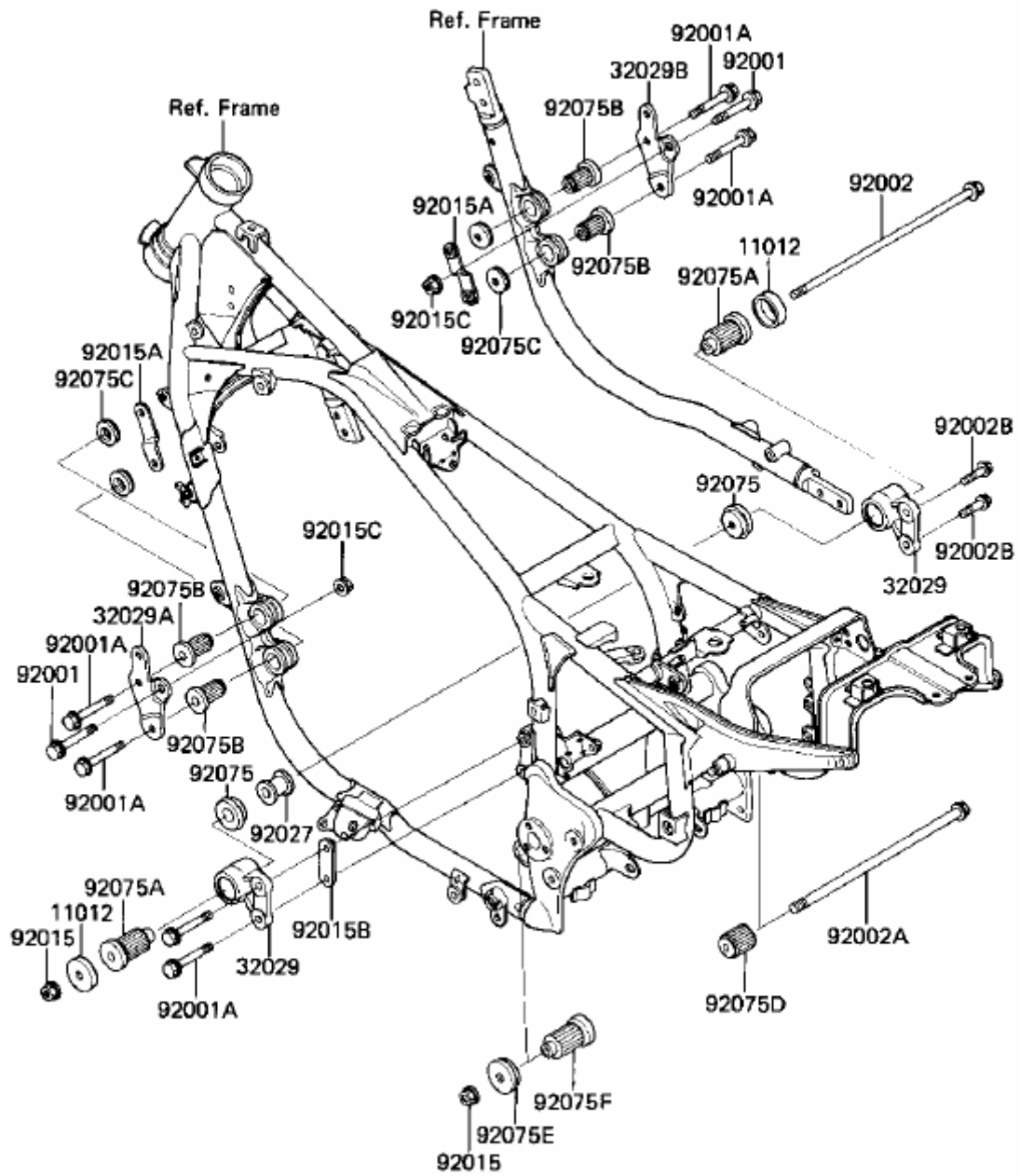


FOOTRESTS

Ref #	Part #	Description	Qty	Spec Code
34003	34003-1240	HOLDER-STEP,RR	2	
34003A	34003-1241	HOLDER-STEP,FR,LH	1	
34003B	34003-1242	HOLDER-STEP,FR,RH	1	
34028	34028-1060	STEP,RR,RUBBER	2	
34028A	34028-1158	STEP,RR,LH	1	
34028B	34028-1159	STEP,RR,RH	1	
34028C	34028-1162	STEP,FR,LH	1	
34028D	34028-1163	STEP,FR,RH	2	
34028E	34028-1164	STEP,FR,RUBBER	2	
55020	55020-1197	GUARD	2	
92001	92001-1905	BOLT,6X10	2	
92009	92009-1404	SCREW	4	
92015	92015-1428	NUT,FLANGED,10MM	2	
92022	92022-1507	WASHER,STEP,RR	2	
92027	92027-1732	COLLAR,STEP	2	
92043	92043-1144	PIN,12X37	2	
92043A	92043-1294	PIN	2	
92081	92144-1568	SPRING,STEP RETURN,RH	2	
92081A	92081-1612	SPRING,STEP,RR	2	
120	120Z0514	BOLT-SOCKET	4	
130	130C1220	BOLT-FLANGED	2	
132	132G0616	BOLT-FLANGED-SMALL	2	
411	411B0600	WASHER PLAIN 6MM	2	
482	482L0100	RING, SNAP	2	
482A	482L5000	CIRCLIP-TYPE-E,5MM	2	

FRAME FITTINGS

F2131-0215

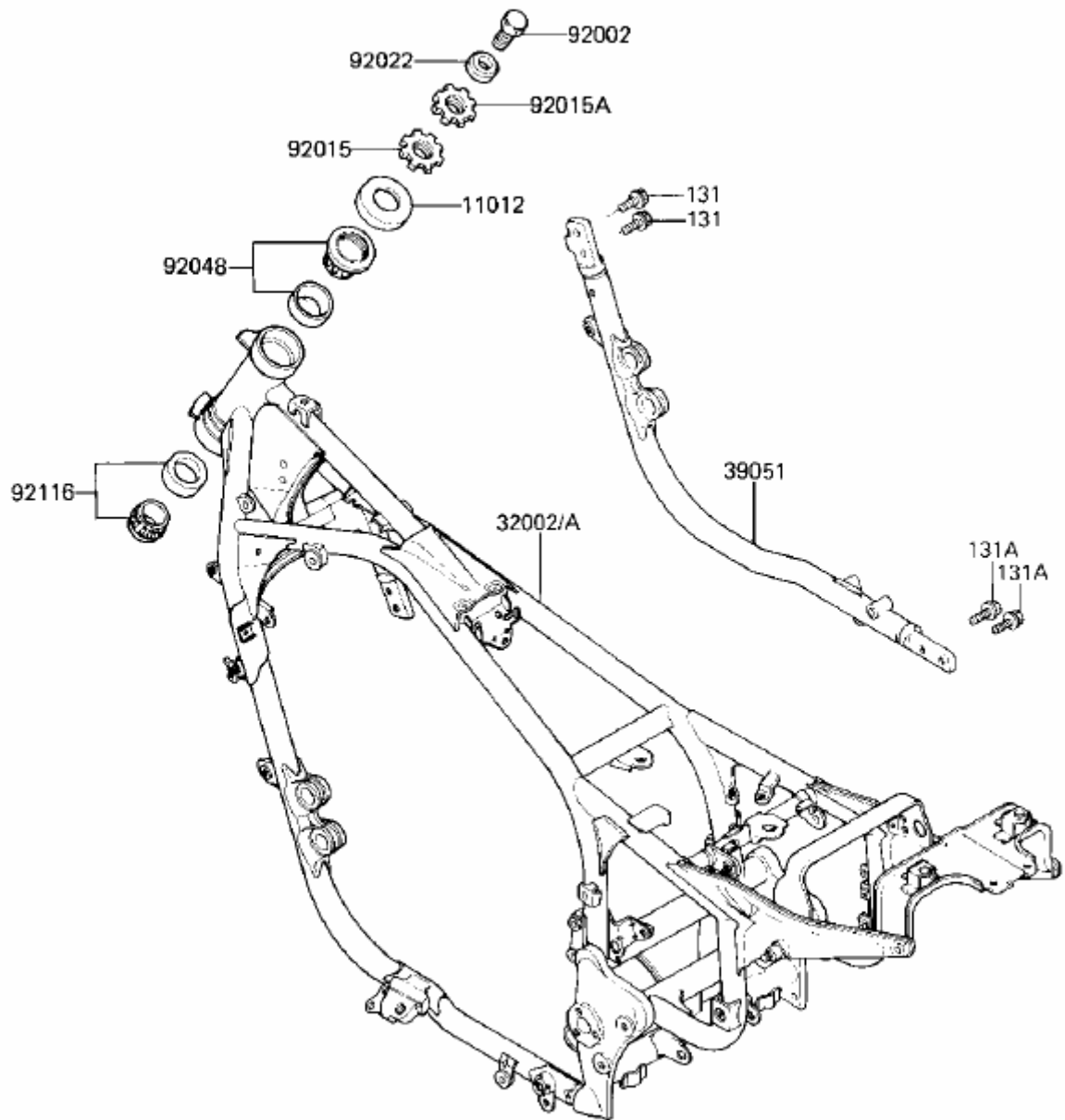


FRAME FITTINGS

Ref #	Part #	Description	Qty	Spec Code
11012	11012-1228	CAP,ENGINE BRACKET	2	
32029	32029-1406	BRACKET-ENGINE,RR,UPP	2	
32029A	32029-1427	BRACKET-ENGINE,FR,LH	1	
32029B	32029-1428	BRACKET-ENGINE,FR,RH	1	
92001	92001-1522	BOLT,BLACK,10X47	2	
92001A	92001-1641	BOLT,FLANGED,8X55,BLACK	6	
92002	92002-1360	BOLT	1	
92002A	92002-1530	BOLT,FLANGED,10X280	1	
92002B	92002-1532	BOLT,FLANGED,8X30	2	
92015	92015-1180	NUT,FLANGED,10MM,BLACK	2	
92015A	92015-1517	NUT	2	
92015B	92015-1518	NUT	1	
92015C	92019-021	NUT,LOCK,10MM	2	
92027	92027-1990	COLLAR,L=24.8	1	
92075	92075-1274	DAMPER	2	
92075A	92075-1377	DAMPER,ENGINE BRACKET	2	
92075B	92075-1730	DAMPER,ENGINE MOUNT	4	
92075C	92075-1731	DAMPER,ENGINE MOUNT	4	
92075D	92075-1733	DAMPER,ENGINE MOUNT	1	
92075E	92075-1738	DAMPER,ENGINE BRACKET	1	
92075F	92075-1739	DAMPER,ENGINE MOUNT,M	1	

FRAME

I 2120-0274

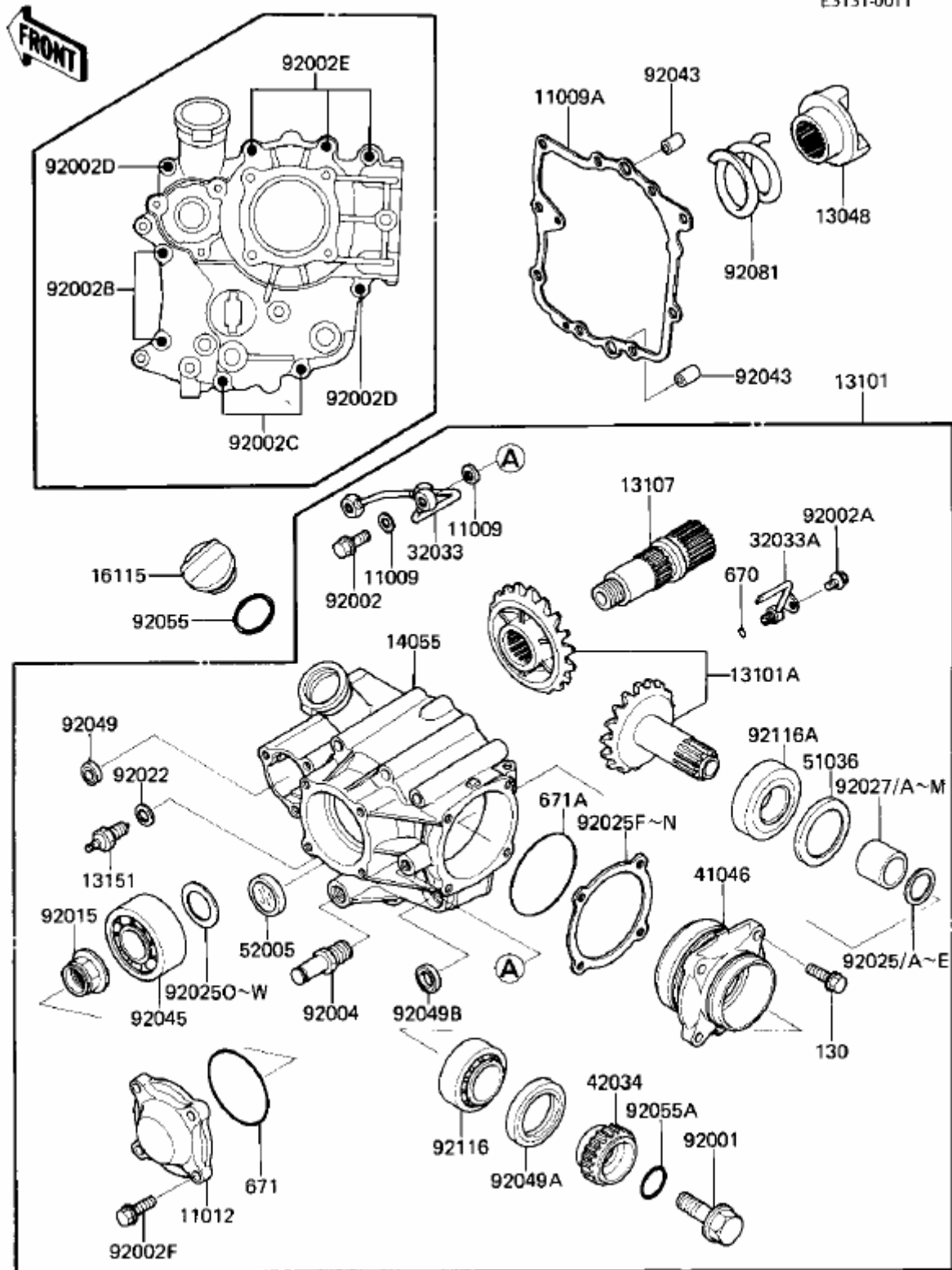


FRAME

Ref #	Part #	Description	Qty	Spec Code
11012	46098-017	CAP,STEERING STEM	1	
32002	46098-017	CAP,STEERING STEM	1	
32002A	32002-1849	FRAME-COMP	1	
39051	39051-1051	FRAME-COMP-SIDE	1	
92002	92002-1611	BOLT	1	
92015	92015-1377	NUT,25MM,T=10	1	
92015A	92015-1378	NUT,25MM,T=6	1	
92022	92200-1140	WASHER	1	
92048	92047-017	BEARING,STEERING STEM	1	
92116	92116-1009	BRG,ROLLER,HR320/28XJ	1	
131	131S0820	BOLT-FLANGED	2	
131A	131S0825	BOLT-FLANGED	2	

FRONT BEVEL GEARS

E3131-0011



FRONT BEVEL GEARS

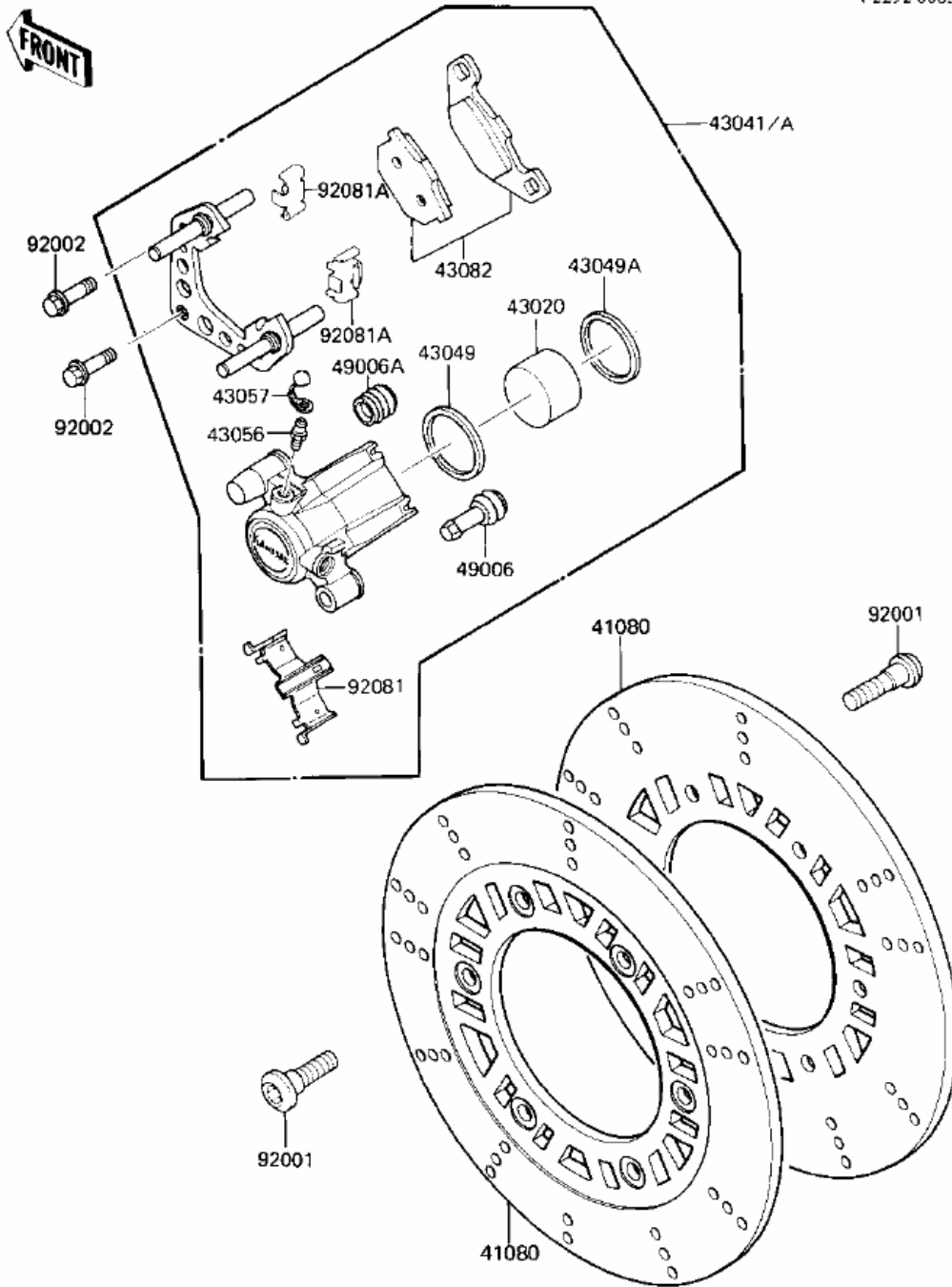
Ref #	Part #	Description	Qty	Spec Code
11009	11009-1344	GASKET,OIL PIPE,8.2X1	6	
11009A	11009-1532	GASKET,BEVEL GEAR CAS	1	
11012	11012-1477	CAP,BEARING	1	
13048	13048-1005	CAM,DAMPER	1	
13101	13101-1113	GEAR-ASSY	1	
13101A	13101-5050	GEAR-ASSY,FRONT BEVEL	1	
13107	13107-1190	SHAFT,BEVEL GEAR,FR	1	
13151	13151-1007	SWITCH,NEUTRAL	1	
14055	14055-1065	CASE-GEAR,BEVEL,FR	1	
16115	16115-1009	CAP-OIL FILLER	1	
32033	32033-1706	PIPE,OIL	1	
32033A	32033-1707	PIPE,OIL	1	
41046	41046-1067	HOUSING-BEARING	1	
42034	42034-1091	COUPLING,FR DRIVEN	1	
51036	51036-1002	CUP	1	
52005	52005-1057	GAUGE,OIL LEVEL	1	
92001	92001-1169	BOLT,12X42	1	
92002	92002-1429	BOLT,BANJO,8X20	3	
92002A	92002-1449	BOLT,6X10	1	
92002B	92002-1582	BOLT,6X25	2	
92002C	92002-1583	BOLT,6X50	2	
92002D	92002-1584	BOLT,6X60	2	
92002E	92002-1585	BOLT,6X105	3	
92002F	92002-1612	BOLT	4	
92004	92004-1109	STUD	1	
92015	92015-1543	NUT	1	
92022	92065-058	GASKET CHECK VALVE	1	
92025	92025-1072	SHIM,1.70T	AR	
92025A	92025-1073	SHIM,1.72T	AR	
92025B	92025-1074	SHIM,1.74T	AR	
92025C	92025-1075	SHIM,1.76T	AR	
92025D	92025-1076	SHIM,1.78T	AR	
92025E	92025-1077	SHIM,1.80T	AR	
92025F	92025-1606	SHIM,T=0.1	AR	
92025G	92025-1607	SHIM,T=0.15	AR	
92025H	92025-1608	SHIM,T=0.5	AR	
92025I	92025-1609	SHIM,T=0.6	AR	
92025J	92025-1610	SHIM,T=0.7	AR	
92025K	92025-1611	SHIM,T=0.8	AR	
92025L	92025-1612	SHIM,T=0.9	AR	
92025M	92025-1613	SHIM,T=1.0	AR	
92025N	92025-1614	SHIM,T=1.2	AR	
92025O	92025-1688	SHIM,25.3X36X0.15	AR	
92025P	92025-1689	SHIM,25.3X36X0.50	AR	
92025Q	92025-1690	SHIM,25.3X36X0.60	AR	
92025R	92025-1691	SHIM,25.3X36X0.70	AR	
92025S	92025-1692	SHIM,25.3X36X0.80	AR	
92025T	92025-1693	SHIM,25.3X36X0.90	AR	
92025U	92025-1694	SHIM,25.3X36X1.0	AR	
92025V	92025-1695	SHIM,25.3X36X1.1	AR	
92025W	92025-1696	SHIM,25.3X36X1.2	AR	
92027	92027-1152	COLLAR,L=22.8M/M	AR	
92027A	92027-1153	COLLAR,L=22.9M/M	AR	

FRONT BEVEL GEARS

92027B	92027-1154	COLLAR,L=23.0M/M	AR
92027C	92027-1155	COLLAR,L=23.1M/M	AR
92027D	92027-1156	COLLAR,L=23.2M/M	AR
92027E	92027-1157	COLLAR,L=23.3M/M	AR
92027F	92027-1158	COLLAR,L=23.4M/M	AR
92027G	92027-1159	COLLAR,L=23.5M/M	AR
92027H	92027-1160	COLLAR,L=23.6M/M	AR
92027I	92027-1161	COLLAR,L=23.7M/M	AR
92027J	92027-1162	COLLAR,L=23.8M/M	AR
92027K	92027-1163	COLLAR,L=23.9M/M	AR
92027L	92027-1164	COLLAR,L=24.0M/M	AR
92027M	92027-1165	COLLAR,L=24.1M/M	AR
92043	92042-007	PIN-DOWEL	2
92045	92045-1160	BEARING-BALL	1
92049	92049-1017	OIL SEAL,SD-8187	1
92049A	92049-1038	OIL SEAL,TC35527	1
92049B	92051-005	OIL SEAL,TB13225.5	1
92055	92055-049	"0" RING,31MM	1
92055A	92055-1044	"0" RING,I.D=18.64MM	1
92081	92081-1859	SPRING,CAM DAMPER	1
92116	92116-1003	BEARING	1
92116A	92116-1006	BRG,ROLLER,4T-30305	1
130	130S0625	BOLT-FLANGED,6X25,BLACK	4
670	670B1506	"0" RING,6M/M	1
671	671B2565	"0" RING,65MM	1
671A	671B2570	"0" RING,70MM	1

FRONT BRAKE

F2292-0083

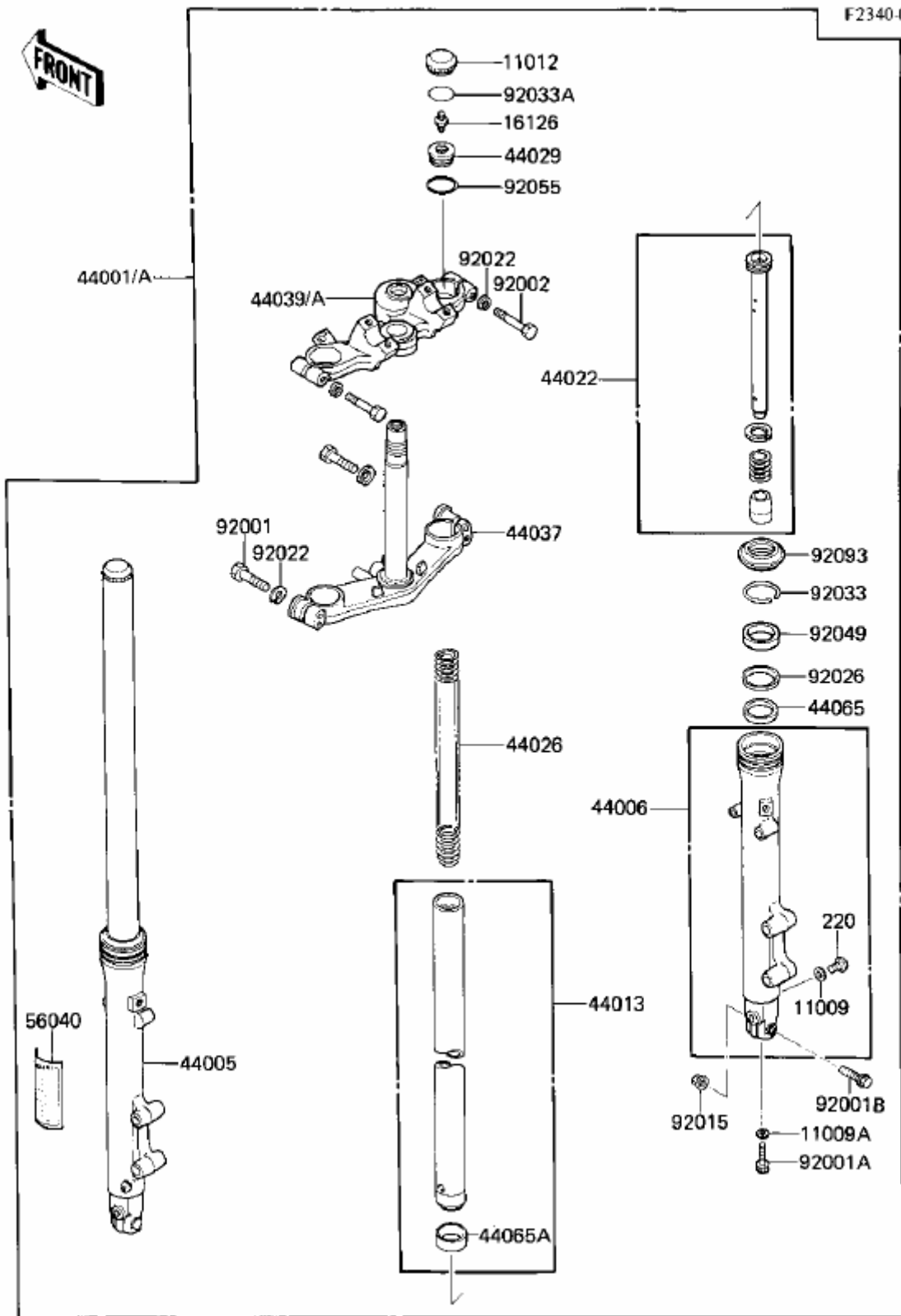


FRONT BRAKE

Ref #	Part #	Description	Qty	Spec Code
41080	41080-1112	DISC,FR,SILVER	2	
43020	43020-1066	PISTON-COMP-BRAKE	2	
43041	43041-1194	CALIPER-ASSY,FR,LH	1	
43041A	43041-1471	CALIPER-ASSY,FR,RH	1	
43049	43049-002	RING,PISTON SEAL	2	
43049A	43049-1028	PACKING,PISTON	2	
43056	43056-003	BREEDER	2	
43057	43057-003	CAP,BREEDER	2	
43082	43082-1061	PAD-ASSY-BRAKE	2	
49006	49006-1094	BOOT,CALIPER	2	
49006A	49006-1095	BOOT,CALIPER	2	
92001	92001-1951	BOLT, SOCKET, 8X30	12	
92002	92002-1468	BOLT, FLANGED, 10X41	4	
92081	92081-1525	SPRING,PAD	2	
92081A	92081-1661	SPRING,PAD STOPPER	4	

FRONT FORK

F2340-0259

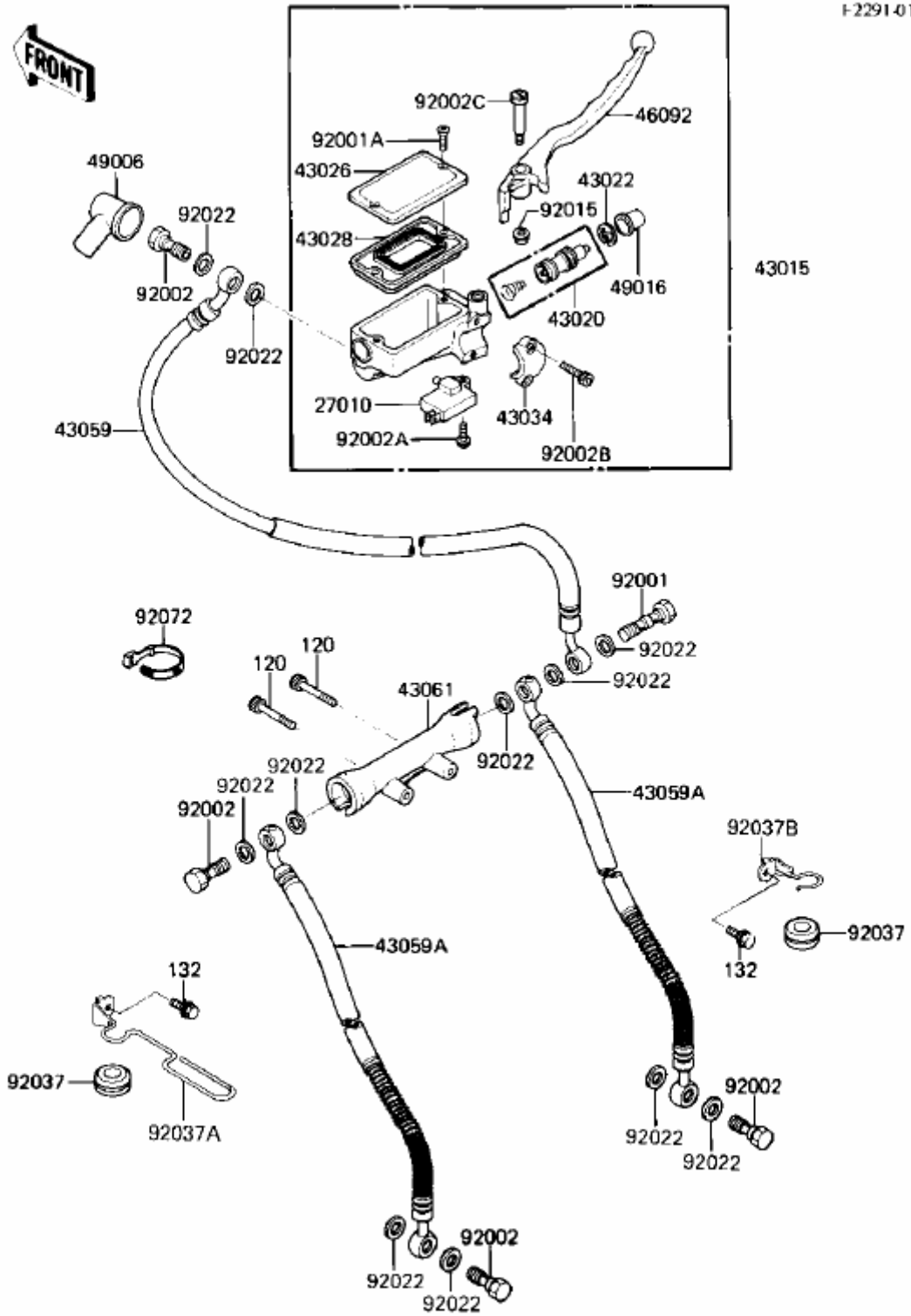


FRONT FORK

Ref #	Part #	Description	Qty	Spec Code
11009	44045-046	GASKET,FORK DRAIN PLG	2	
11009A	44045-051	GASKET,FORK CYL BOLT	2	
11012	11012-1473	CAP,FORK TOP	2	
16126	16126-1105	VALVE,AIR	2	
44001	44001-1584	FORK-FRONT	1	
44001A	44001-1640	FORK-FRONT	1	
44005	44005-1233	PIPE-LEFT FORK OUTER	1	
44006	44006-1233	PIPE-RIGHT FORK OUTER	1	
44013	44013-1232	PIPE-FORK INNER	2	
44022	44022-1182	CYLINDER-FORK	2	
44026	44026-1303	SPRING-FRONT FORK,K=0	2	
44029	44029-1120	SEAT-FORK SPRING	2	
44037	44037-1183	HOLDER-FORK UNDER	1	
44039	44039-1124	HOLDER-FORK UPPER	1	
44039A	44039-1129	HOLDER-FORK UPPER	1	
44065	44065-1070	BUSHING-FRONT FORK	2	
44065A	44065-1071	BUSHING-FRONT FORK,IN	2	
56040	56040-1054	LABEL-WARNING,AIR SUS	1	
92001	92001-1063	BOLT,HEX HEAD,8X40	4	
92001A	92001-1464	BOLT,FORK DRAIN	2	
92001B	92001-1486	BOLT,FLANGED,8X50	1	
92002	92002-1603	BOLT	2	
92015	92015-1055	NUT,8MM	1	
92022	92022-1703	WASHER,SPRING,8MM	6	
92026	92026-1254	SPACER,FORK	2	
92033	92033-1200	RING-SNAP,FORK	2	
92033A	92033-1201	RING-SNAP	2	
92049	92049-1230	SEAL-OIL,FORK	2	
92055	92055-1309	RING-O,FORK SPRING SE	2	
92093	92093-1197	SEAL,FORK	2	
220	220B0406	SCREW PAN HEAD 4X6	2	

FRONT MASTER CYLINDER

F-2291-0156

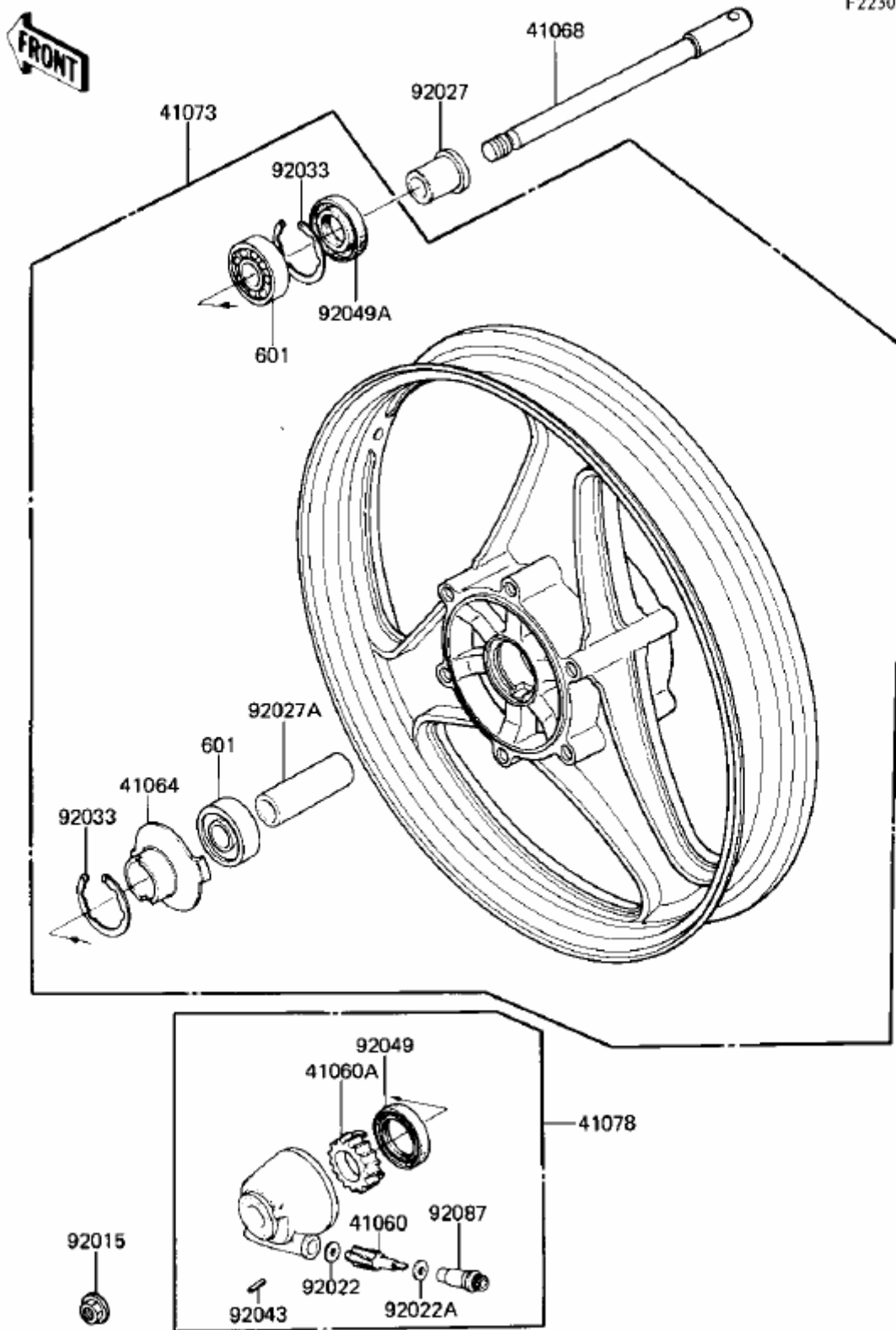


FRONT MASTER CYLINDER

Ref #	Part #	Description	Qty	Spec Code
27010	27010-1170	SWITCH,BRAKE	1	
43015	43015-1293	CYLINDER-ASSY-MASTER,	1	
43020	43020-1054	PISTON-COMP-BRAKE,FR	1	
43022	43022-1010	STOPPER-BRAKE,PISTON	1	
43026	43026-1052	CAP-BRAKE,FR	1	
43028	43028-1058	DIAPHRAGM,MASTER CYLINDER	1	
43034	43034-1053	HOLDER-BRAKE,MASTER CYL	1	
43059	43059-1305	HOSE-BRAKE	1	
43059A	43059-1306	HOSE-BRAKE	2	
43061	43061-1056	JOINT-BRAKE	1	
46092	46092-1121	LEVER-GRIP,FRONT BRAKE	1	
49006	49006-1041	BOOT,DUST	1	
49016	49016-1044	COVER-SEAL,MASTER CYL	1	
92001	92002-1909	BOLT	1	
92001A	92001-1727	BOLT,MASTER CYLINDER	2	
92002	92002-1888	BOLT,OIL,L=23	4	
92002A	92002-1323	BOLT	1	
92002B	92002-1324	BOLT,SOCKET,6X10	1	
92002C	92002-1561	BOLT,LEVER SET	1	
92015	92015-1528	NUT,FLANGED,6MM	1	
92022	43067-001	WASHER-OIL BOLT	11	
92037	43064-006	DAMPER RUBBER,CYL HSE	2	
92037A	92037-1702	CLAMP,BRAKE HOSE,LH	1	
92037B	92037-1703	CLAMP,BRAKE HOSE,RH	1	
92072	92072-056	BAND,WIRING HARNESS	1	
120	120P0645	BOLT,SOCKET,6X45	2	
132	132E0612	BOLT-FLANGED-SMALL	2	

FRONT- WHEELHUB

F2230-0132

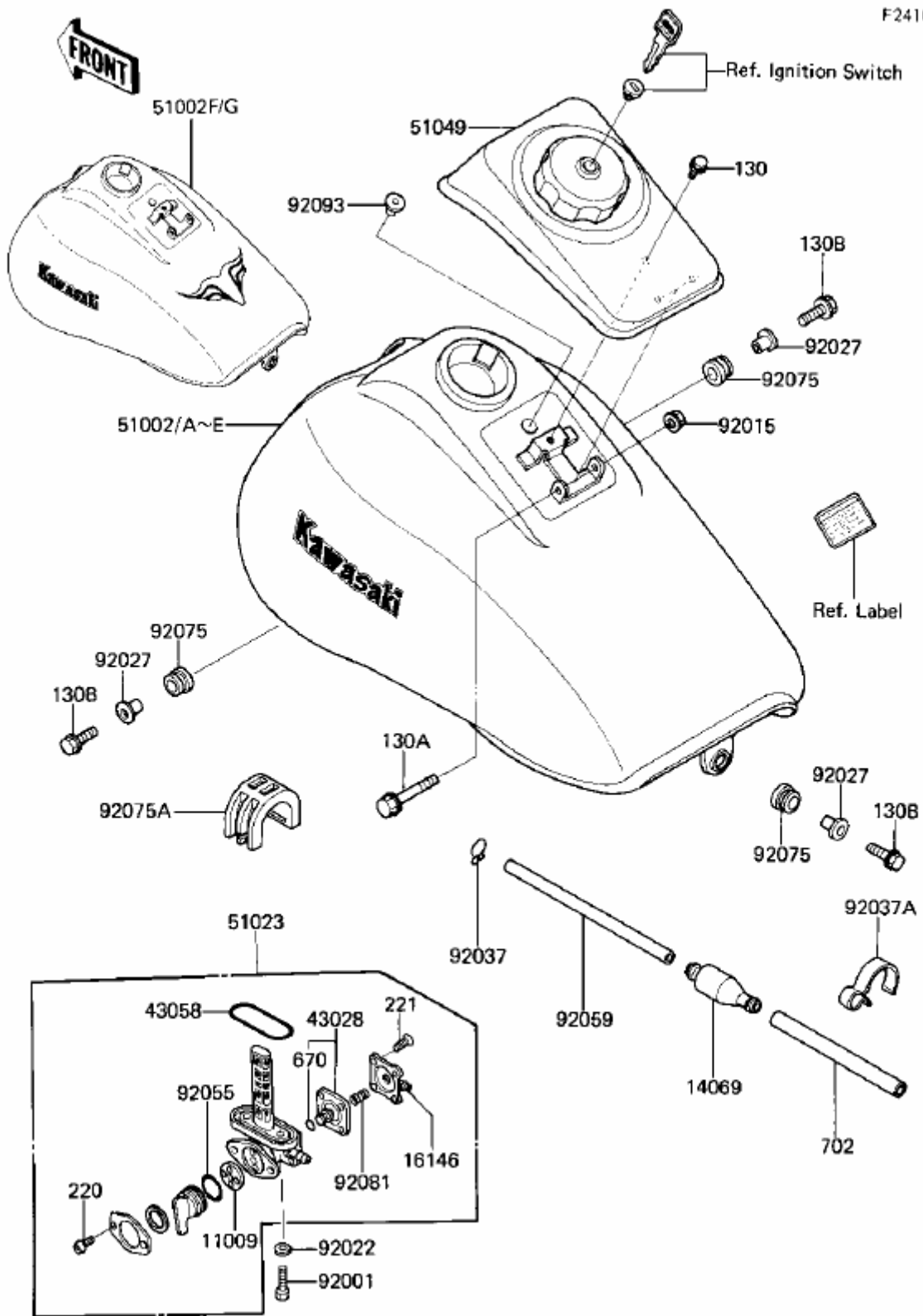


FRONT- WHEELHUB

Ref #	Part #	Description	Qty	Spec Code
41060	41060-1016	PINION, SPEEDOMETER, 9T	1	
41060A	41060-1041	GEAR-METER SCREW, 25T	1	
41064	41064-1006	RECEIVER, SPEEDOMETER	1	
41068	41068-1009	AXLE, FRONT, L=204M/M	1	
41073	41073-1315-J9	WHEEL-ASSY, FR, M. GRAY	1	
41078	41078-1027	CASE-ASSY-METER GEAR	1	
92015	92015-1407	NUT, 14MM	1	
92022	41063-001	WASHER THRST SPD PINI	1	
92022A	41063-001	WASHER THRST SPD PINI	1	
92027	92027-1225	COLLAR, FR AXLE L=30MM	1	
92027A	92027-1505	COLLAR, 15.2X22X55	1	
92033	92033-1041	CIRCLIP, 42MM	2	
92043	41082-001	PIN, SPRING	1	
92049	92049-1057	OIL SEAL, BJN30427-C3	1	
92049A	92049-1058	OIL SEAL, AG1144AO	1	
92087	92087-1002	BUSHING, METER GEAR	1	
601	601B63020	UNAVAILABLE IN PRICE BOOK	2	

FUEL TANK

F2410-0305

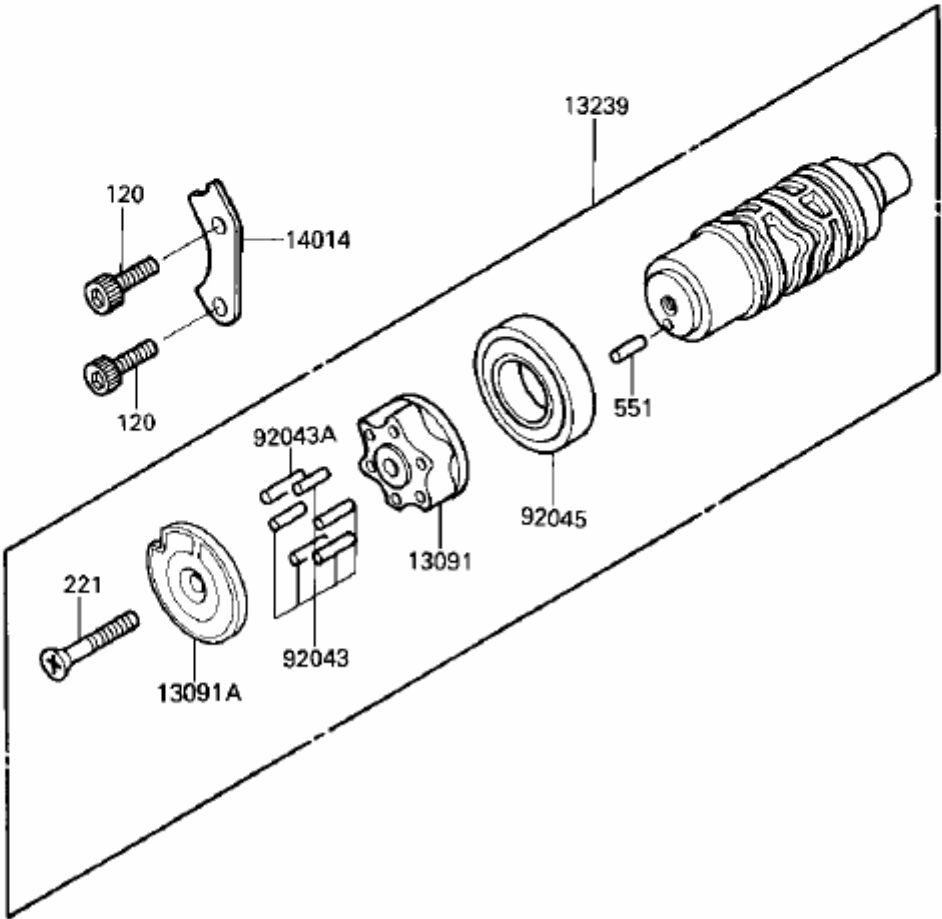
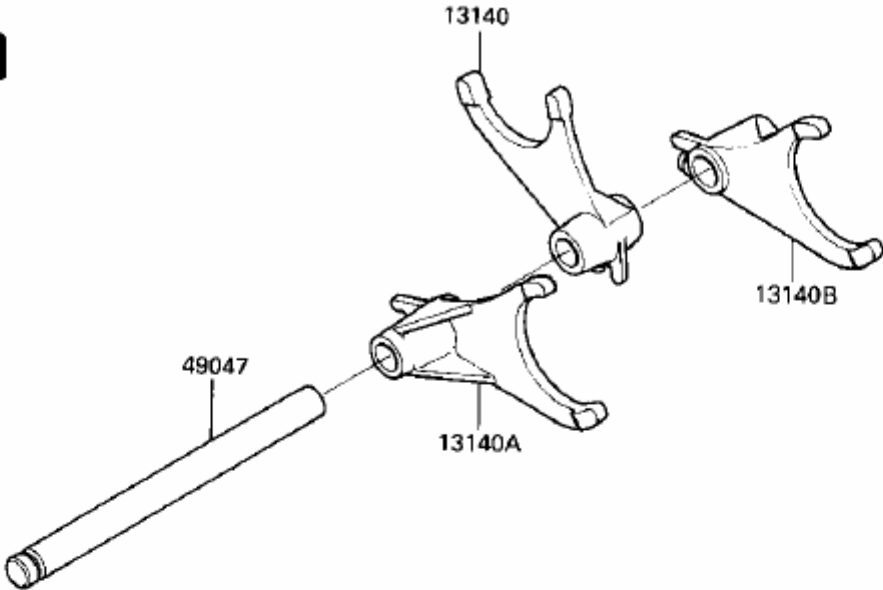


FUEL TANK

Ref #	Part #	Description	Qty	Spec Code
11009	11009-1530	GASKET,TAP VALVE	1	
14069	14069-1052	BREATHER,FUEL TANK	1	CN,US
16146	16146-1005	COVER ASSY,TAP	1	
43028	43028-1015	DIAPHRAGM ASSY,TAP	1	
43058	51039-010	"0" RING	1	
51002	51002-5080-H8	TANK-COMP-FUEL,EBONY (Canada)	1	CN
51002A	51002-5081-7V	TANK-COMP-FUEL,L.RED (Canada)	1	CN
51002B	51002-5088-H8	TANK-COMP-FUEL,EBONY	1	US
51002C	51002-5089-H8	TANK-COMP-FUEL,EBONY	1	CA
51002D	51002-5090-7V	TANK-COMP-FUEL,L.RED	1	US
51002E	51002-5091-7V	TANK-COMP-FUEL	1	CA
51002F	51002-5180-H8	TANK-COMP-FUEL,EBONY	1	CN,US
51002G	51002-5181-H8	TANK-COMP-FUEL,EBONY	1	CA
51023	51023-1116	TAP-ASSY,FUEL	1	
51049	51049-1065-10	CAP-TANK,FUEL,BLACK	1	
92001	92001-1091	BOLT,6X20,FUEL TAP	2	
92015	92015-1259	NUT,FLANGED,5MM	1	
92022	92022-183	WASHER-PLAIN	2	
92027	92027-1920	COLLAR	3	
92037	92037-010	CLAMP FUEL PIPE	3	CN,US
92037A	92037-1552	CLAMP	1	CN,US
92055	92055-1027	"0" RING,TAP LEVER	1	
92059	92059-1625	TUBE	1	CN,US
92075	92075-1057	DAMPER	3	
92075A	92075-1741	DAMPER,FUEL TANK	1	
92081	92081-1171	SPRING,TAP	1	
92093	92093-1030	OIL SEAL,FUEL TANK	1	
130	130B0510	BOLT-FLANGED	1	
130A	130B0550	BOLT-FLANGED	1	
130B	130J0625	BOLT-FLANGED,6X25	3	
220	220B0308	SCREW PAN HEAD 3X8	2	
221	221B0414	SCREW-CSK-CROS,4X14	4	
670	670B1504	"O" RING,4MM	1	
702	702A07280	TUBE,RUBBER,7X10X280	1	CN,US

GEAR CHANGE DRUM & FORKS

E1362-0089



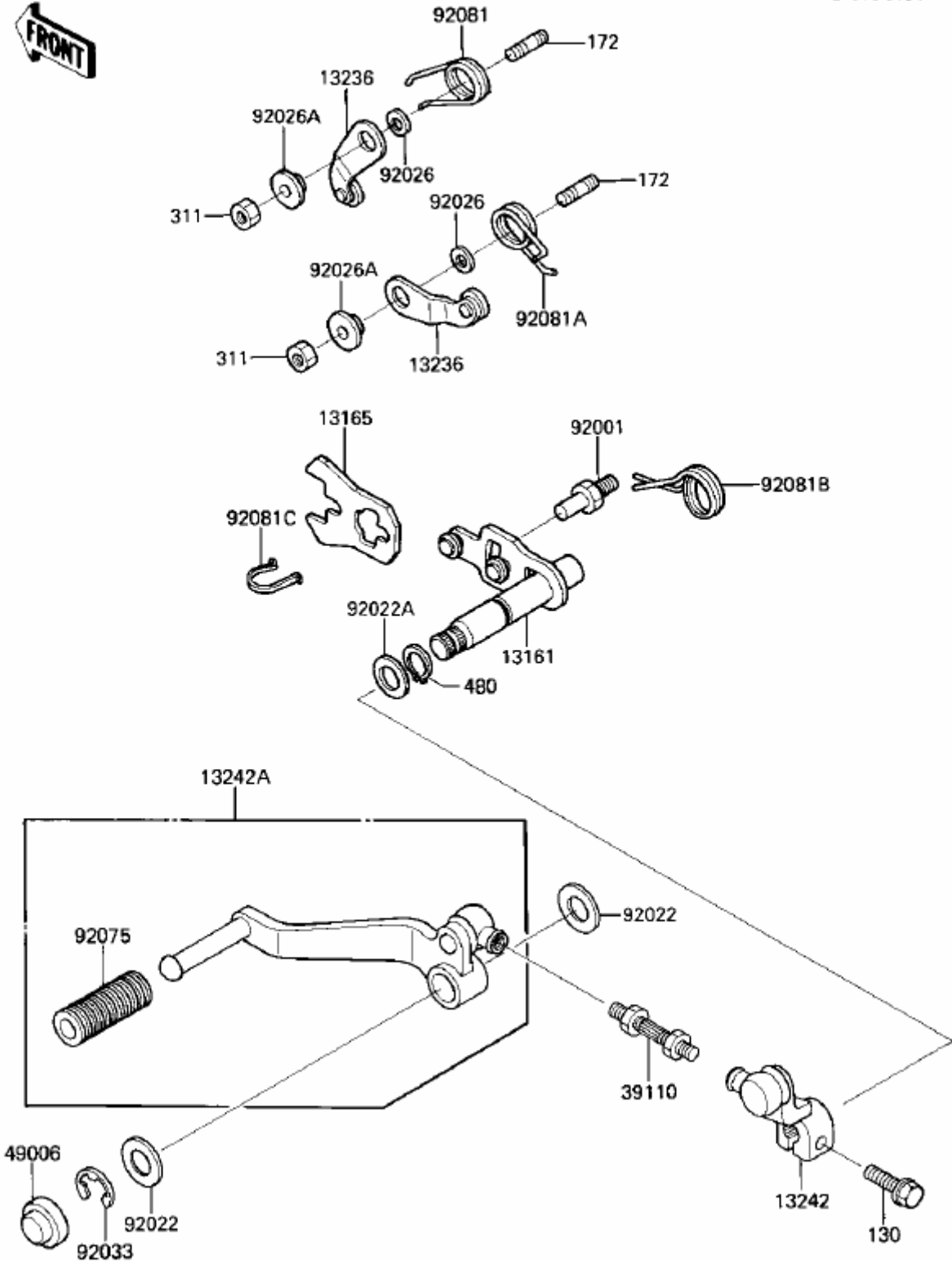
GEAR CHANGE DRUM & FORKS

Ref #	Part #	Description	Qty	Spec	Code
13091	13091-1275	HOLDER,CHANGE DRUM	1		
13091A	13091-1334	HOLDER,NEUTRAL	1		
13140	13140-1196	FORK-SHIFT	1		
13140A	13140-1197	FORK-SHIFT	1		
13140B	13140-1198	FORK-SHIFT	1		
13239	13239-1122	DRUM-ASSY-CHANGE	1		
14014	14014-1059	PLATE-POSITION,CHANGE	1		
49047	49047-1055	ROD-SHIFT	1		
92043	92042-014	PIN GEAR CHANGE DRUM	5		
92043A	92042-020	PIN-CHANGE DRUM	1		
92045	92045-1045	BEARING-BALL,16005(NT	1		
120	120P0616	BOLT, SOCKET, 6X16	2		
221	221B0645	SCREW-CSK-CROS, 6X45	1		
551	551A0408	PIN,DOWEL, 4X8	1		

GEAR CHANGE MECHANISM

E1370-0154

FRONT

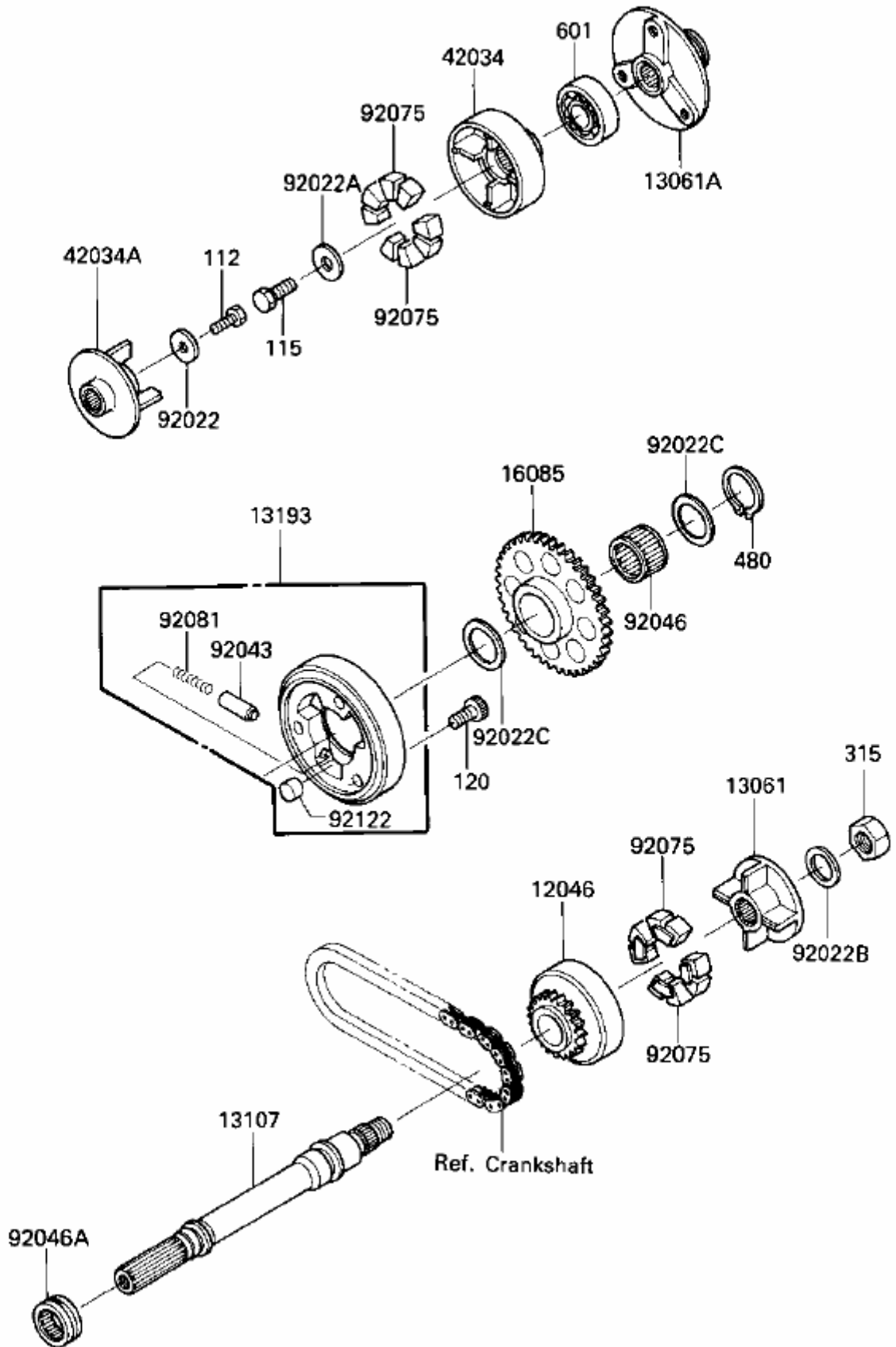


GEAR CHANGE MECHANISM

Ref #	Part #	Description	Qty	Spec	Code
13161	13161-1106	LEVER-COMP-CHANGE SHAFT	1		
13165	13165-1120	PAWL	1		
13236	13236-1103	LEVER-COMP,GEAR POSIT	2		
13242	13242-1195	LEVER-ASSY-CHANGE	1		
13242A	13242-1271	LEVER-ASSY-CHANGE,PEDAL	1		
39110	39110-1054	ROD-ASSY-TIE	1		
49006	49006-1061	BOOT,CHANGE LEVER	1		
92001	92001-1401	BOLT,RETURN SPRING	1		
92022	92022-1593	WASHER	2		
92022A	92022-1772	WASHER	1		
92026	92026-094	WASHER,THRUST	2		
92026A	92026-1217	SPACER	2		
92033	92033-1178	RING-SNAP	1		
92075	13157-004	RUBBER CHANGE PEDAL	1		
92081	92081-1645	SPRING	1		
92081A	92081-1742	SPRING	1		
92081B	92081-1750	SPRING,CHANGE PEDAL R	1		
92081C	92081-1829	SPRING,CHANGE LEVER	1		
130	130S0620	BOLT-FLANGED,6X20,BLA	1		
172	172G0614	STUD 6X14	2		
311	311G0600	NUT,6M/M	2		
480	480J1300	CIRCLIP,13MM	1		

GENERATOR SHAFT-STARTER CLUTCH

E1324-0001

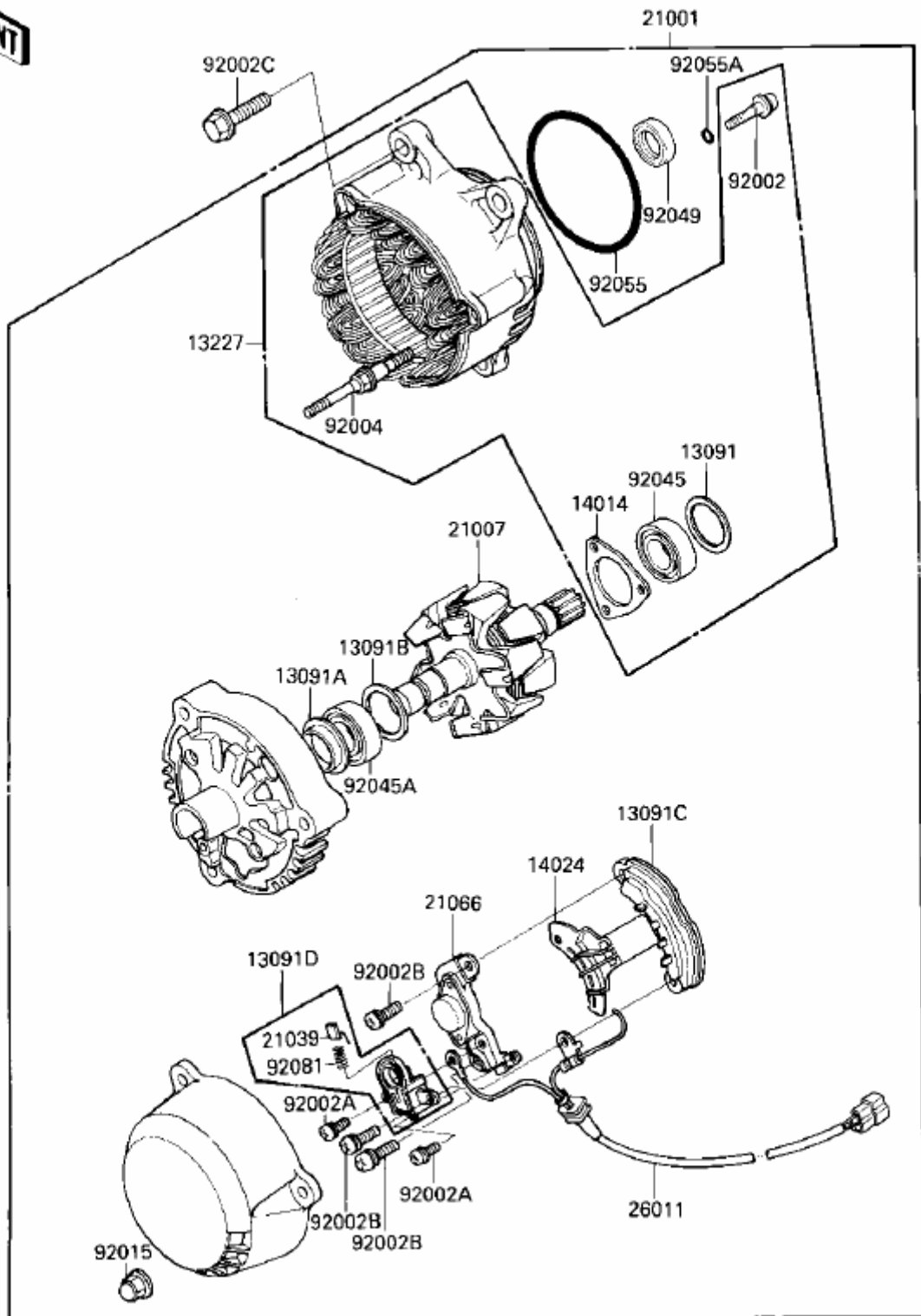


GENERATOR SHAFT-STARTER CLUTCH

Ref #	Part #	Description	Qty	Spec	Code
12046	12046-1068	SPROCKET,GENERATOR	1		
13061	13061-1111	BOSS, SPROCKET	1		
13061A	13061-1112	BOSS, COUPLING	1		
13107	13107-1108	SHAFT	1		
13193	13193-1052	CLUTCH-ASSY-ONEWAY	1		
16085	16085-1118	GEAR, ONEWAY CLUTCH	1		
42034	42034-1055	COUPLING	1		
42034A	42034-1056	COUPLING	1		
92022	92022-1517	WASHER, 6X19.5X2	1		
92022A	92022-1518	WASHER, 8X22X3	1		
92022B	92022-1519	WASHER, 16X26X2	1		
92022C	92022-225	WASHER-THRUST	2		
92043	92043-087	PIN	3		
92046	92046-1022	BEARING, NEEDLE, K25302	1		
92046A	92046-1109	BEARING-NEEDLE, RNA490	1		
92075	92075-1790	DAMPER, COUPLING	8		
92081	92081-110	SPRING	3		
92122	92122-004	ROLLER	3		
112	112G0616	BOLT-UPSET, 6X16	1		
115	115G0820	BOLT, 8X20	1		
120	120P0812	BOLT, SOCKET, 8X12	3		
315	315G1600	NUT-HEX-FINE	1		
480	480J2500	CIRCLIP, 25M/M	1		
601	601A6203	BEARING BALL #6203	1		

GENERATOR-REGULATOR

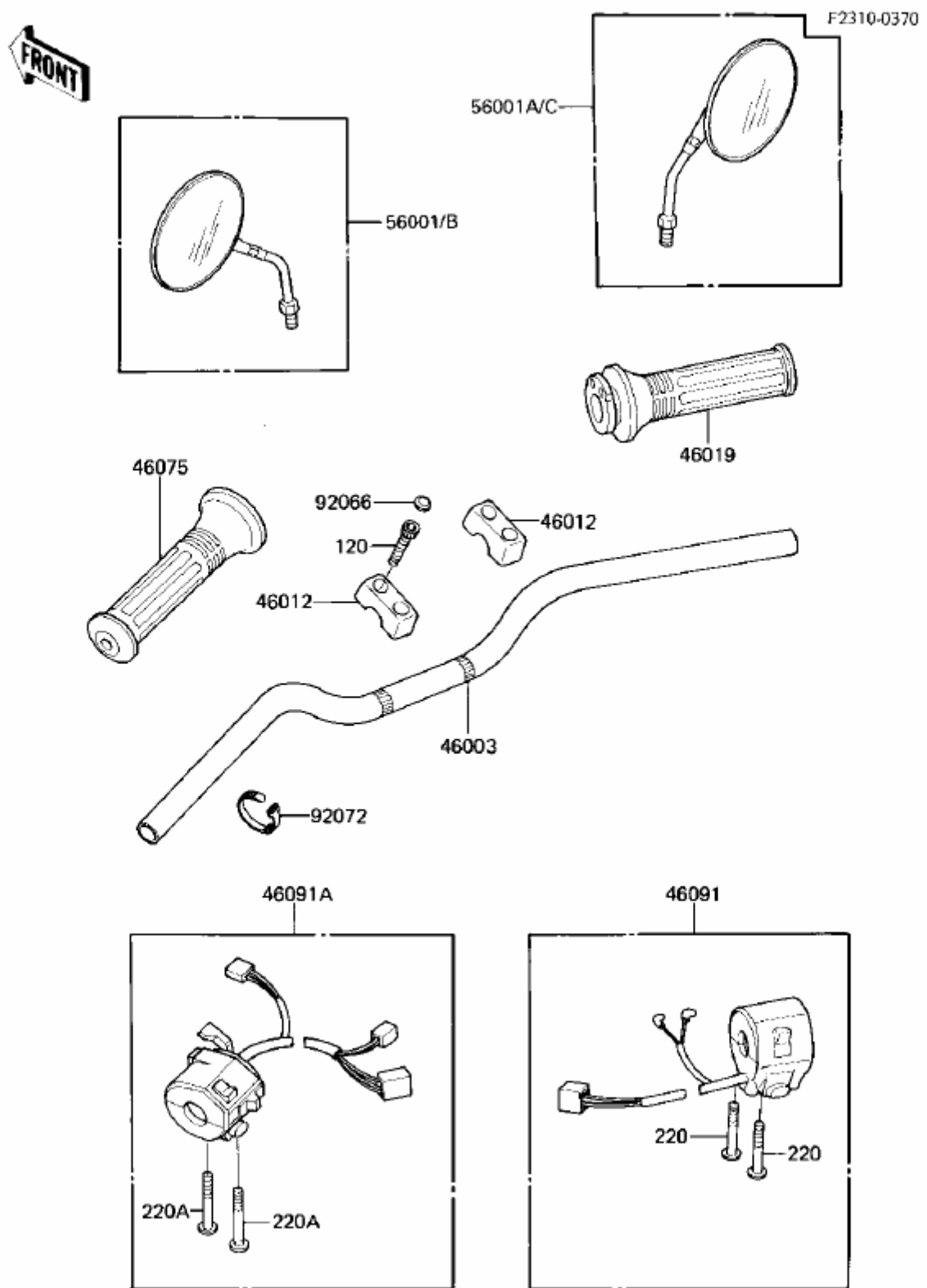
E1810-0114



GENERATOR-REGULATOR

Ref #	Part #	Description	Qty	Spec Code
13091	13091-1326	HOLDER, BEARING	1	
13091A	13091-1327	HOLDER, COVER	1	
13091B	13091-1328	HOLDER, BEARING	1	
13091C	13091-1329	RECTIFIER	1	
13091D	13091-1330	HOLDER, BRUSH	1	
13227	13227-1054	HOUSING, GENERATOR	1	
14014	14014-1065	PLATE-POSITION	1	
14024	14025-1942	COVER, RECTIFIER	1	
21001	21001-1106	GENERATOR	1	
21007	21007-1123	ROTOR, GENERATOR	1	
21039	21039-1052	BRUSH, CARBON	2	
21066	21066-1056	REGULATOR-VOLTAGE	1	
26011	26011-1317	WIRE-LEAD, GENERATOR	1	
92002	92002-1856	BOLT	3	
92002A	92002-1379	BOLT	2	
92002B	92002-1380	BOLT	3	
92002C	92002-1400	BOLT, 8X32	3	
92004	92004-1196	STUD	3	
92015	92015-1458	NUT, CAP	3	
92045	92045-1132	BEARING-BALL, #6002	1	
92045A	92045-1237	BEARING-BALL	1	
92049	92049-1200	SEAL-OIL	1	
92055	92055-1263	RING-O, 67.6MM	1	
92055A	92055-1264	RING-O	3	
92081	92081-1759	SPRING, BRUSH	2	

HANDLEBAR

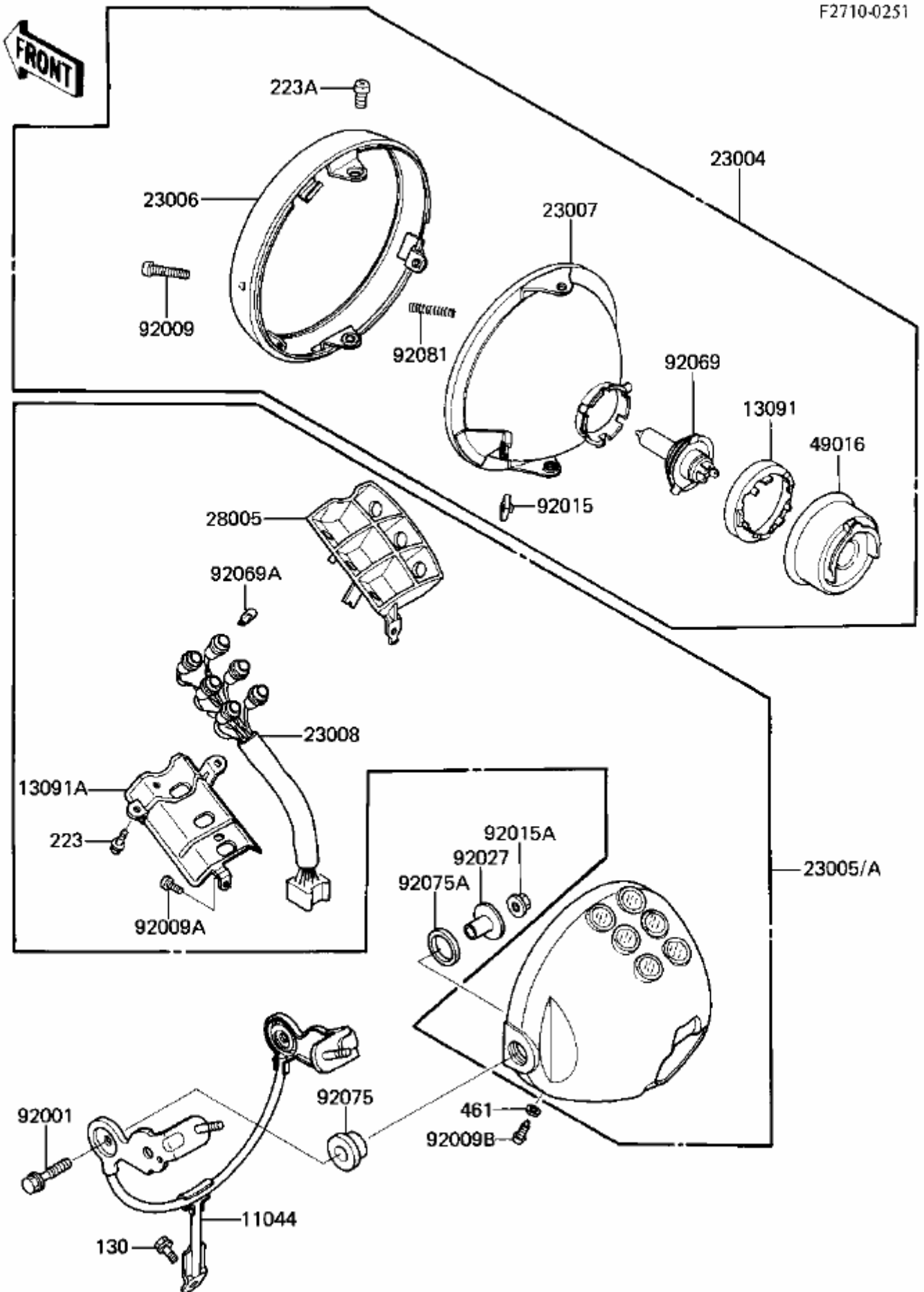


HANDLEBAR

Ref #	Part #	Description	Qty	Code
46003	46003-1198	HANDLE	1	
46012	46012-1137	HOLDER-HANDLE	2	
46019	46019-1061	GRIP-ASSY, THROTTLE	1	
46075	46075-1060	GRIP, LH	1	
46091	46091-1354	HOUSING-ASSY-CONTROL,	1	
46091A	46091-1373	HOUSING-ASSY-CONTROL,	1	
56001	56001-1266	MIRROR-ASSY, LH	1	
56001A	56001-1267	MIRROR-ASSY, RH	1	
56001B	56001-1266	MIRROR-ASSY, LH	1	
56001C	56001-1267	MIRROR-ASSY, RH	1	
92066	92066-1216	PLUG, HANDLE HOLDER	4	
92072	92072-031	BAND, MIDDLE	2	
120	120S0830	BOLT-SOCKET, 8X30, BLACK	4	
220	220C0540	SCREW-PAN-CROSS	2	
220A	220C0545	SCREW-PAN-CROSS	2	

HEADLIGHT

F2710-0251

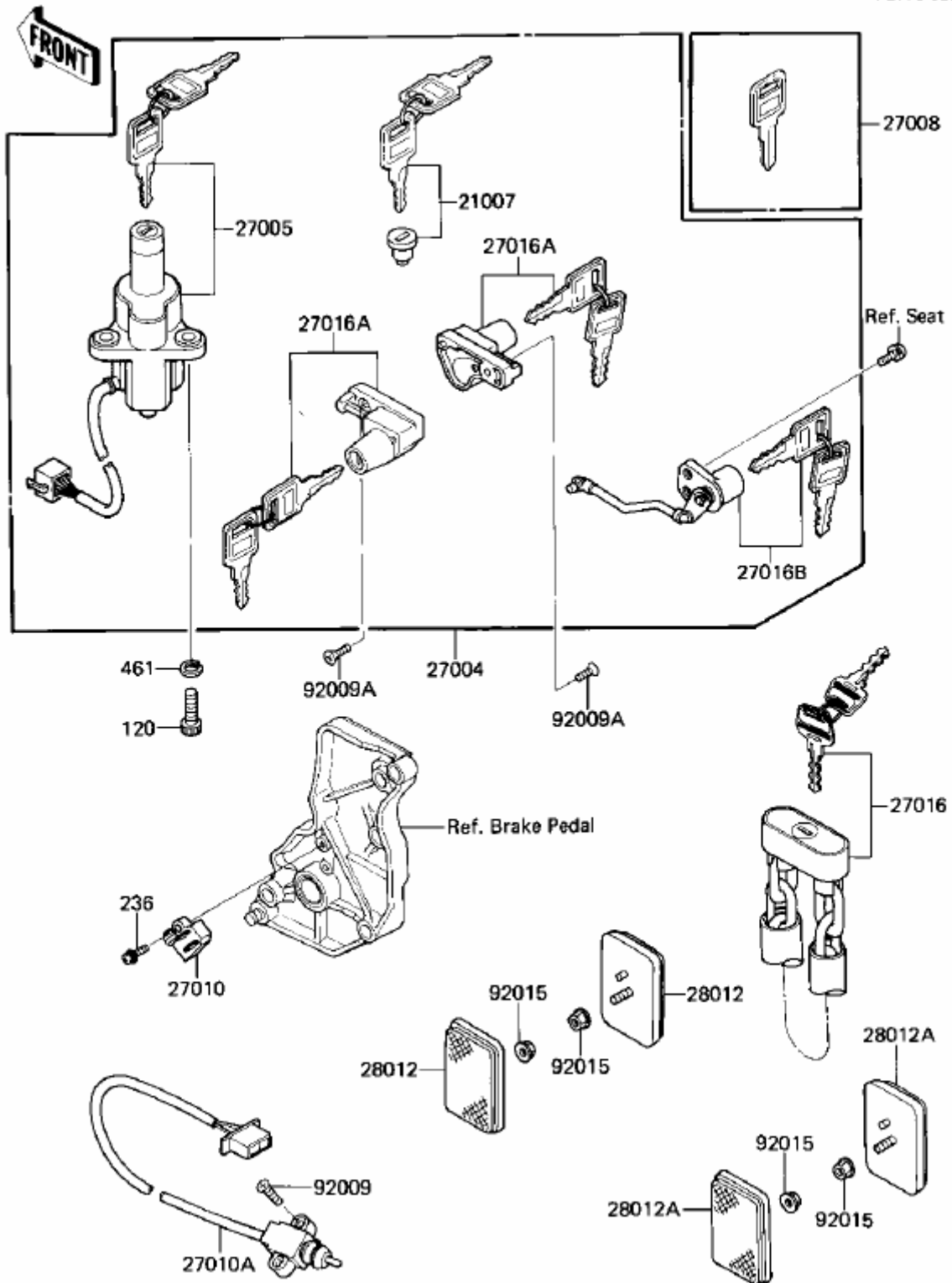


HEADLIGHT

Ref #	Part #	Description	Qty	Spec	Code
11044	11044-1259	BRACKET,HEAD LAMP STAY	1		
13091	13091-1386	HOLDER	1		
13091A	13091-1387	HOLDER	1		
23004	23004-1188	LAMP-HEAD	1		
23005	23005-1061-H8	BODY-COMP-HEAD LAMP,EBONY	1		
23005A	23005-1061-7V	BODY-COMP-HEAD LAMP,LIMUNIO	1		
23006	23006-1057	RIM-LAMP	1		
23007	23007-1136	LENS-COMP	1		
23008	23008-1281	SOCKET-ASSY	1		
28005	28005-1053	BODY-LAMP	1		
49016	49016-1110	COVER-SEAL	1		
92001	92001-1910	BOLT,FLANGED,8X35	2		
92009	92009-139	UNAVAILABLE IN PRICE BOOK	1		
92009A	92009-1395	SCREW	1		
92009B	92011-024	SCREW-PAN HEAD,5MM	2		
9201	23020-012	NUT ADJUST	1		
92015A	92015-1014	NUT,8M/M	2		
92027	92027-1131	COLLAR,HEAD LAMP FITTING	2		
92069	92069-1002	BULB,12V-60/55W	1		
92069A	92069-1020	BULB,12V3W T-7	6		
92075	92075-1109	DAMPER,HEAD LAMP FITTING	2		
92075A	92075-1110	DAMPER,HEAD LAMP FITTING	2		
92081	92081-1892	SPRING	1		
130	130N0610	BOLT,FLANGED,6X10	1		
223	223D0410	SCREW-PAN-WS-CROSS	2		
223A	223D0510	SCREW-PAN-WS-CROSS	2		
461	461F0500	WASHER SPRING 5MM	2		

IGNITION - SWITCHLOCKS-REFLECTORS

F2770-0288

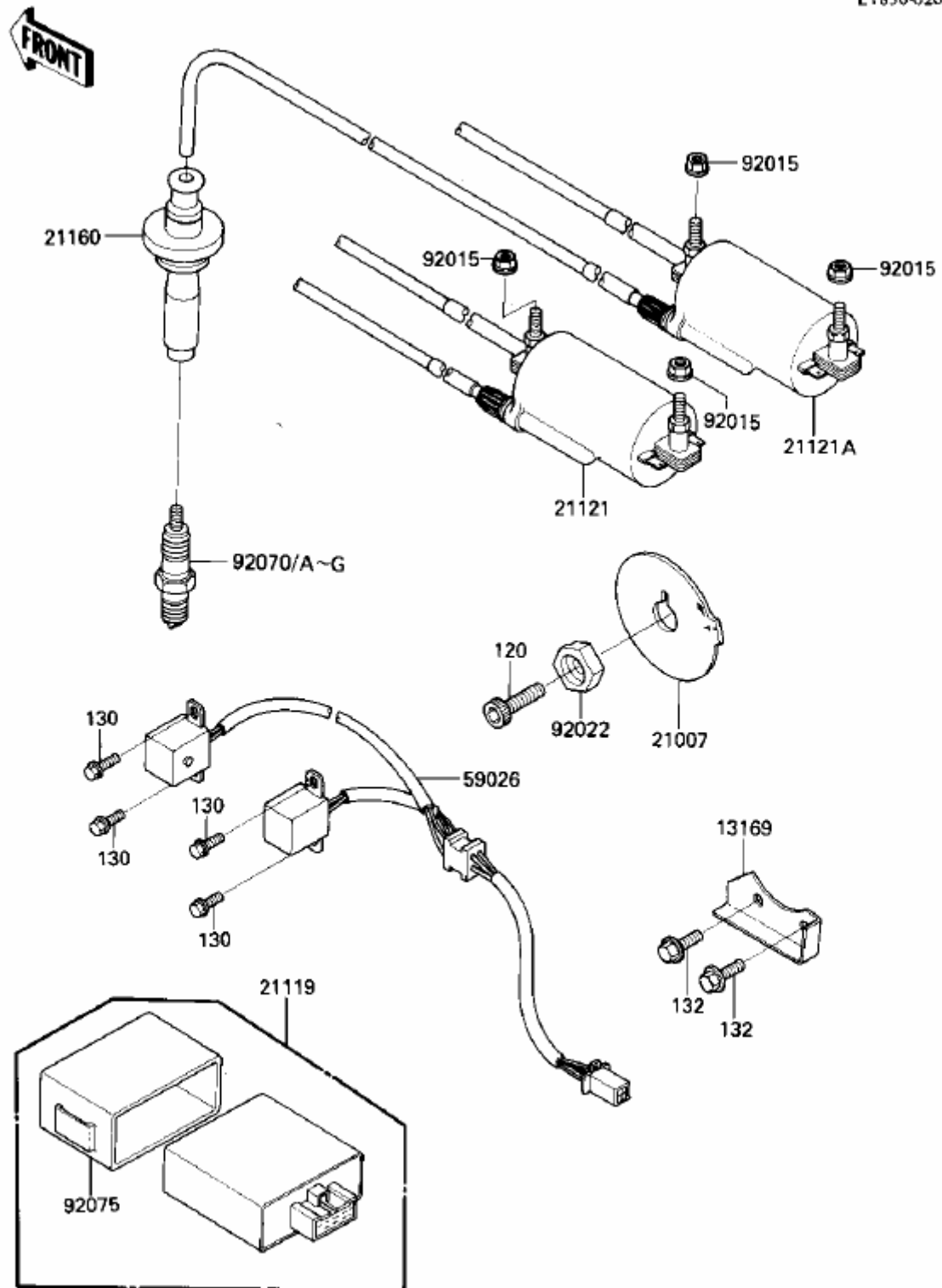


IGNITION -SWITCHLOCKS-REFLECTORS

Ref #	Part #	Description	Qty	Spec	Code
21007	21007-5005	ROTOR,FUEL TANK	1		
27004	27004-5261	SWITCH-ASSY	1		
27005	27005-5045	SWITCH-ASSY-IGNITION	1		
27008	27008-1103	KEY-LOCK, BLANK	1	(OPTION)	
27010	27010-1185	SWITCH, BRAKE	1		
27010A	27010-1186	SWITCH, SIDE STAND	1		
27016	27016-1051	LOCK-ASSY	1		
27016A	27016-5060	LOCK-ASSY, HELMET	2		
27016B	27016-5087	LOCK-ASSY, SEAT	1		
28012	28012-1003	REFLECTOR, REFLEX(FRONT)	2		
28012A	28012-1051	REFLECTOR-REFLEX, RR	2		
92009	92009-1359	SCREW	2		
92009A	92009-1401	SCREW	2		
92015	92015-1259	NUT, FLANGED, 5MM	4		
120	120T0822	BOLT-SOCKET	2		
236	236B0416	SCREW-PAN-WSP-CROSS	1		
461	461L0800	WASHER-SPRING	2		

IGNITION

E1830-0207

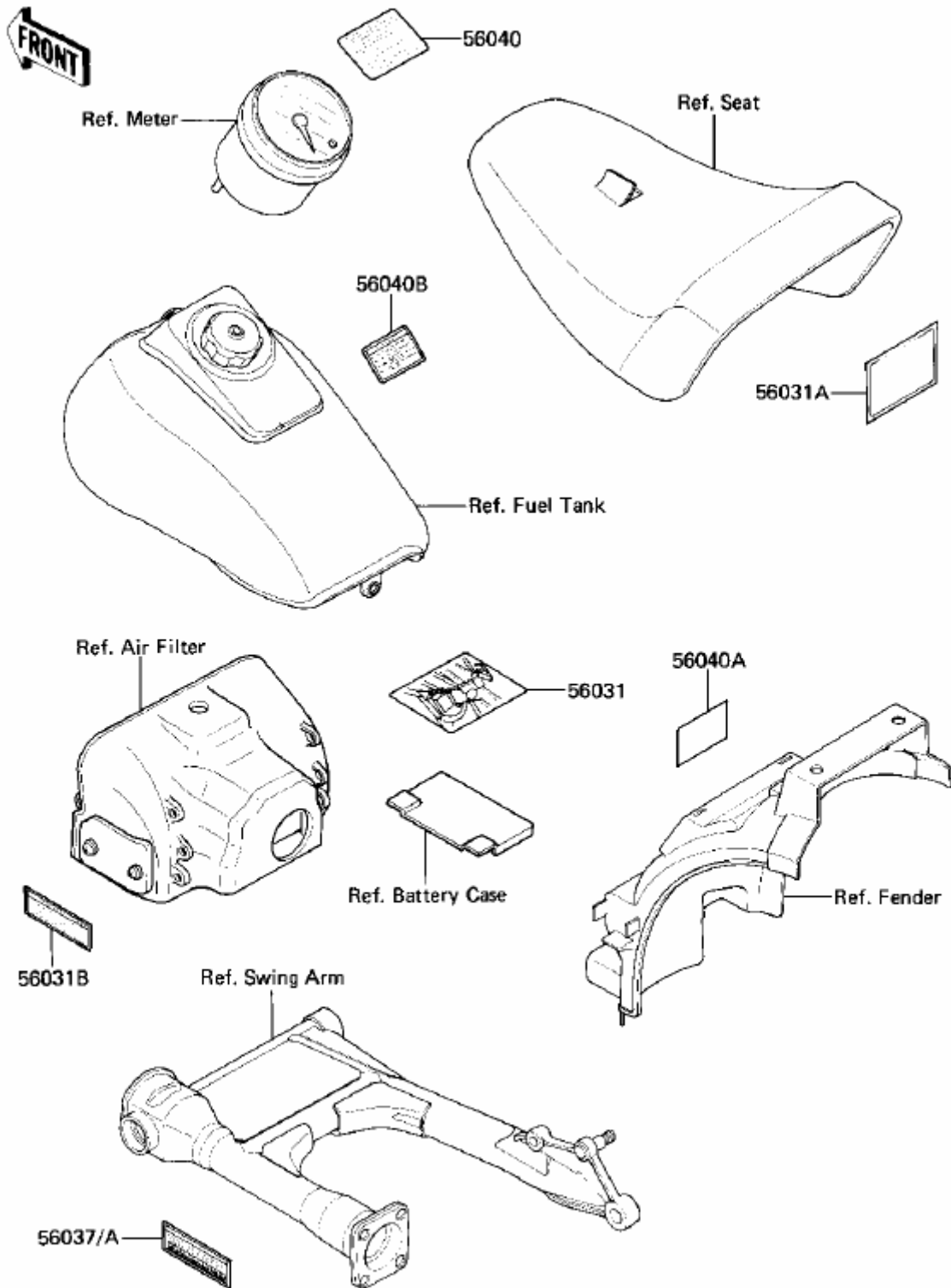


IGNITION

Ref #	Part #	Description	Qty	Code
13169	13169-1748	PLATE,CHAIN GUIDE	1	
21007	21007-1109	ROTOR,PULSING COIL	1	
21119	21119-1110	IGNITER	1	
21121	21121-1135	COIL-IGNITION	1	
21121A	21121-1136	COIL-IGNITION	1	
21160	21160-1065	CAP-ASSY-PLUG	4	
59026	59026-1061	COIL-PULSING	1	
92015	92015-1078	NUT-6MM	4	
92022	92200-1173	WASHER,ROTOR	1	
92070	D8EA	SPARK PLUG D8EA	4	CA,US
92070B	D7EA	SPARK PLUG D7EA	4	CA,US
92070C	92070-1019	SPARK PLUG DR8ES (Canada)	4	CN
92070E	92070-1034	UNAVAILABLE IN PRICE BOOK	4	CA,US
92075	92075-1592	DAMPER,IGNITER	1	
120	120P0825	BOLT,SOCKET,8X25	1	
130	130G0512	BOLT-FLANGED	4	
132	132G0612	BOLT-FLANGED-SMALL	2	

LABELS

F2860-0350

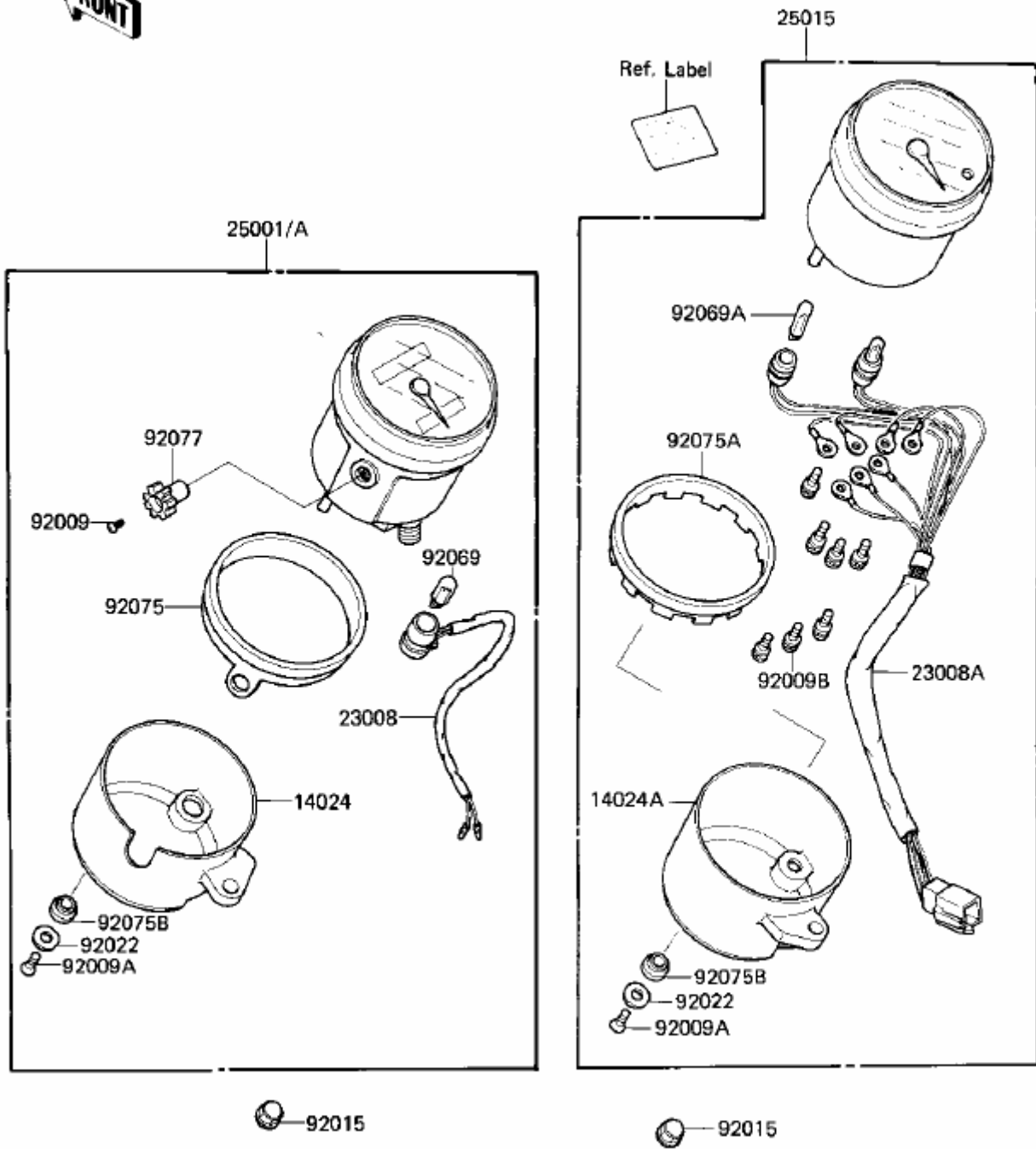


LABELS

Ref #	Part #	Description	Qty	Code
56031	56031-1399	LABEL-MANUAL,BATTERY	1	
56031A	56031-1425	LABEL-MANUAL,DAILY SA	1	
56031B	56031-1428	LABEL-MANUAL,OIL & OI	1	
56037	56037-1306	LABEL-SPECIFICATION,T	1	CA,US
56037A	56037-1307	LABEL-SPECIFICATION,TIRE& (Can	1	CN
56040	56040-1007	LABEL,BRAKE-IN	1	CA,US
56040A	56040-1014	LABEL,AIR INTAKE	1	
56040B	56040-1121	LABEL-WARNING,FUEL TK	1	CA

METERS

F2530-0264

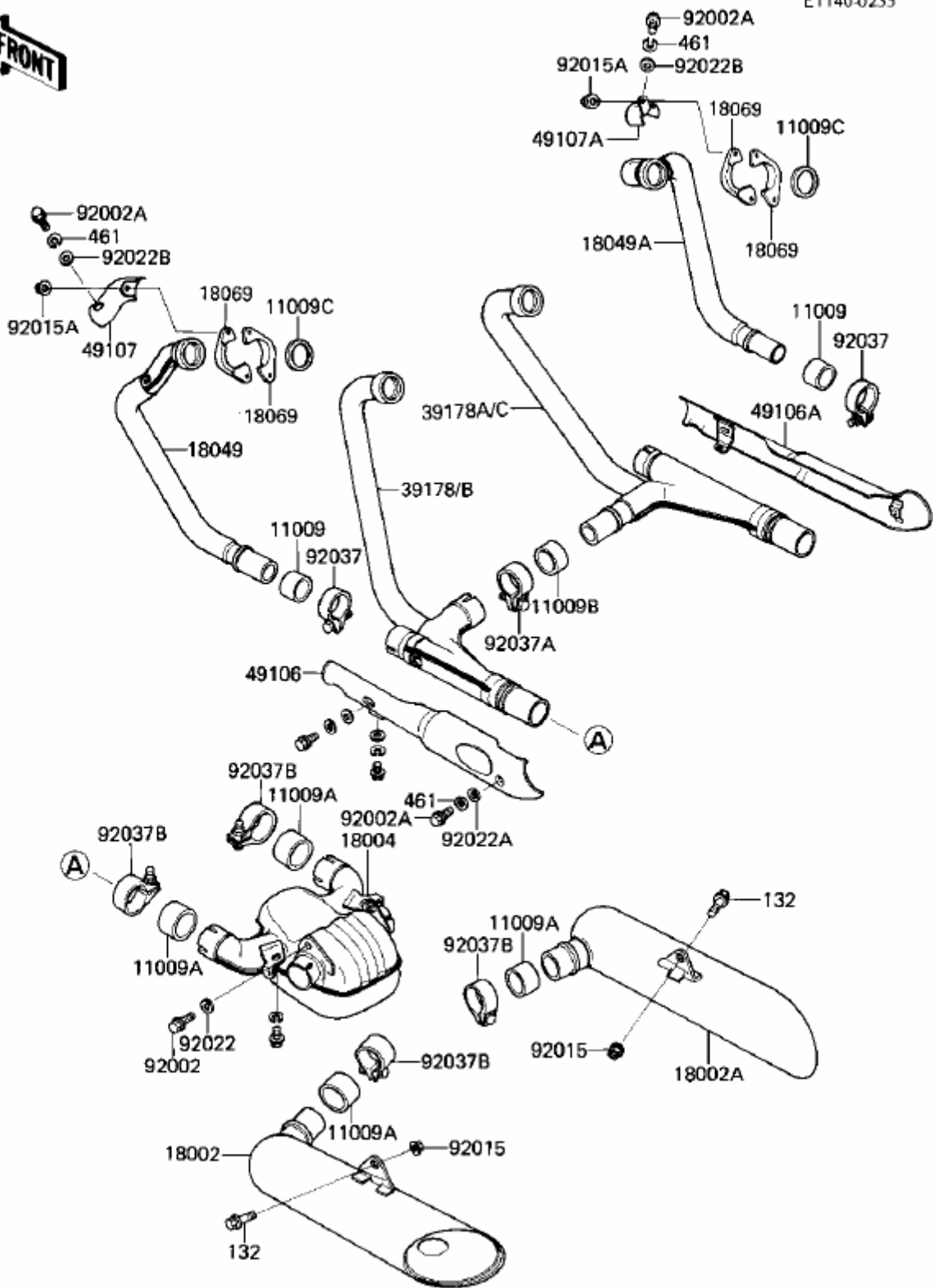


METERS

Ref #	Part #	Description	Qty	Code
14024	14024-1096	COVER	1	
14024A	14024-1097	COVER	1	
23008	23008-1279	SOCKET-ASSY, SPEEDOMETER	1	
23008A	23008-1280	SOCKET-ASSY, TACHOMETER	1	
25001	25001-1661	METER-ASSY, MPH	1	CA, US
25001A	25001-1614	25001-1662 (Canada)	1	CN
25015	25015-1238	TACHOMETER	1	
92009	92009-1172	SCREW, 2X6, BLACK	1	
92009A	92009-1392	SCREW	4	
92009B	92009-1406	SCREW, 3X10	7	
92015	92015-1385	NUT, CAP, 6MM	2	
92022	92022-1711	WASHER	4	
92069	92069-1007	BULB, 12V3.4W	1	
92069A	92069-1020	BULB, 12V3W T-7	2	
92075	92075-1751	DAMPER	1	
92075A	92075-1752	DAMPER	1	
92075B	92075-1753	DAMPER	4	
92077	92077-1059	KNOB, METER	1	

MUFFLERS

E1140-0233

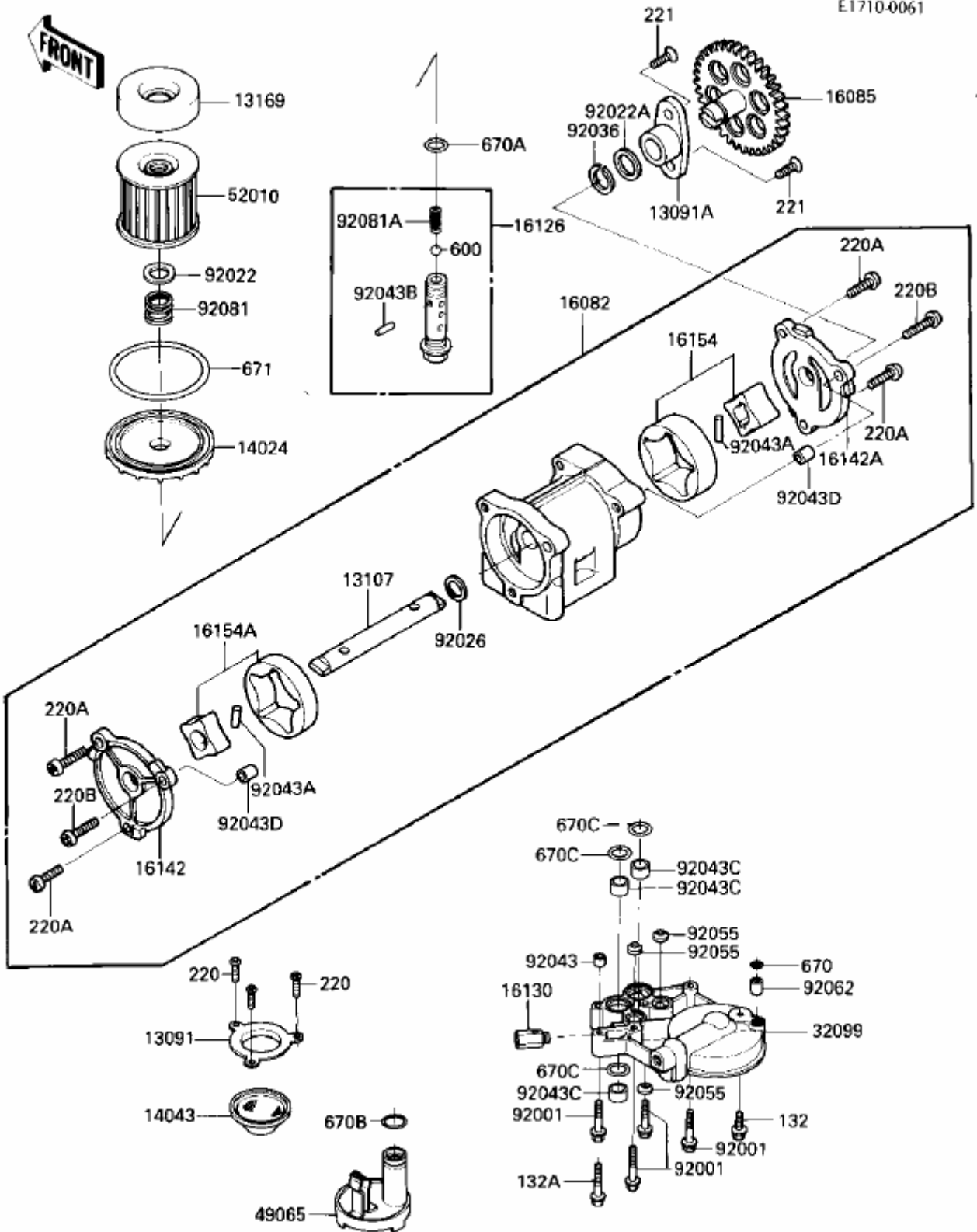


MUFFLERS

Ref #	Part #	Description	Qty	Code
11009	11009-1667	GASKET,EXHAUST PIPE C	2	
11009A	11009-1666	GASKET,EXHAUST PIPE C	4	
11009B	11009-1668	GASKET,EXHAUST MANUFO	1	
11009C	11009-1840	GASKET,EXHAUST PIPE H	4	
18002	18002-1592	BODY-COMP-MUFFLER,LH	1	
18002A	18002-1593	BODY-COMP-MUFFLER,RH	1	
18004	18004-1052	CHAMBER-PREMUFFLER	1	
18049	18049-1409	PIPE-EXHAUST,#1	1	
18049A	18049-1410	PIPE-EXHAUST,#4	1	
18069	18069-1054	HOLDER-EXHAUST PIPE	8	
39178	39178-1120	MANIFOLD-COMP-EXHAUST	1	
39178A	39178-1099	MANIFOLD-COMP-EXHAUST	1	
39178B	39178-1103	MANIFOLD-COMP-EXHAUST	1	
39178C	39178-1099	MANIFOLD-COMP-EXHAUST	1	
49106	49106-1067	COVER-MUFFLER,LH	1	
49106A	49106-1068	COVER-MUFFLER,RH	1	
49107	49107-1066	COVER-EXHAUST PIPE,LH	1	
49107A	49107-1067	COVER-EXHAUST PIPE,RH	1	
92002	92002-1589	BOLT,8X14	4	
92002A	92002-1608	BOLT	8	
92015	92015-1014	NUT,8M/M	2	
92015A	92015-1397	NUT,FLANGED,8MM	8	
92022	92022-1317	WASHER,8.5X20X1.6,BLACK	4	
92022A	92022-1716	WASHER	6	
92022B	92022-193	WASHER-PLAIN	2	
92037	92037-1349	CLAMP,42MM	2	
92037A	92037-1536	CLAMP,MUFFLER	1	
92037B	92037-1537	CLAMP,POWER CHAMBER	4	
132	132E0835	BOLT-FLANGED-SMALL	2	
461	461S0600	WASHER-SPRING,6MM	8	

OIL PUMP-OIL FILTER

E1710-0061



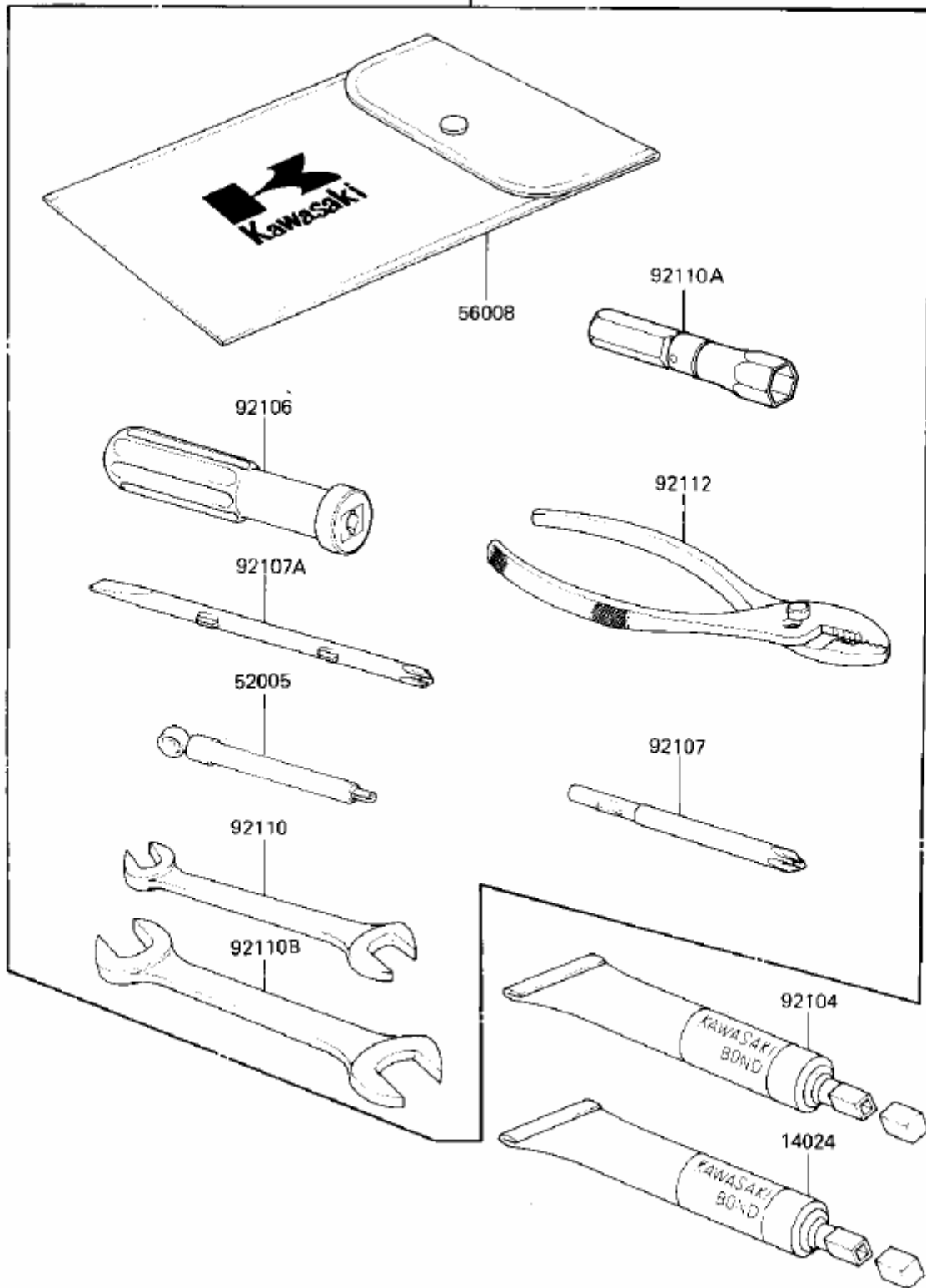
OIL PUMP-OIL FILTER

Ref #	Part #	Description	Qty	Code
13091	13091-1274	HOLDER,OIL FILTER	1	
13091A	13091-1333	HOLDER,PUMP GEAR	1	
13107	13107-1105	SHAFT,OIL PUMP	1	
13159	13169-1313	PLATE,OIL FILTER	1	
14024	14026-1422	UNAVAILABLE IN PRICE BOOK	1	
14043	16111-003	STRAINER,OIL	1	
16082	16082-1060	PUMP-ASSY-OIL	1	
16085	16085-1103	GEAR,OIL PUMP,35T	1	
16126	16126-1108	VALVE,OIL FILTER	1	
16130	16130-1001	RELEAF VALVE ASSY	1	
16142	16142-1052	COVER-PUMP,LH	1	
16142A	16142-1054	COVER-PUMP,RH	1	
16154	16154-1007	ROTOR ASSY,OIL PUMP	1	
16154A	16154-1053	ROTOR-PUMP	1	
32099	32099-1083	CASE,OIL FILTER	1	
49065	49065-1066	FILTER-OIL	1	
52010	16099-003	FILTER,OIL	1	
92001	92001-1105	BOLT,FLANGED,6X38	4	
92022	92022-1012	WASHER,20.5X30X1.0	1	
92022A	92022-1495	WASHER,14X20X1	1	
92026	92026-1230	SPACER,OIL PUMP	1	
92036	92036-1052	RING-SNAP,PUMP GEAR	1	
92043	92042-007	PIN-DOWEL	1	
92043A	92043-1061	PIN,DOWEL 5X17.8	2	
92043B	92043-111	SPRING PIN	1	
92043C	92043-1213	PIN,18X20X12	3	
92043D	92043-1302	PIN,DOWEL,8X10	2	
92055	92055-077	"O" RING	3	
92062	92062-1055	NOZZLE	1	
92071	92071-1017	UNAVAILABLE IN PRICE BOOK	1	
92071A	92071-109	UNAVAILABLE IN PRICE BOOK	1	
132	132G0616	BOLT-FLANGED-SMALL	1	
132A	132G0645	BOLT-FLANGED-SMALL	1	
220	220B0612	SCREW PAN HEAD 6X12	3	
220A	220B0614	SCREW PAN HEAD 6X14	4	
220B	220B0620	SCREW PAN HEAD 6X20	2	
221	221B0616	SCREW CNTSNK HD 6X16	2	
600	600A1200	BALL STEEL 3/8'	1	
670	670B1508	"O" RING,8MM	1	
670A	670B2016	"O" RING,16MM	1	
670B	670B2018	"O" RING,18MM	1	
670C	670D2020	O RING	3	
671	671B2590	"O" RING,90MM	1	

OWNER TOOLS

56007

F2810-0213

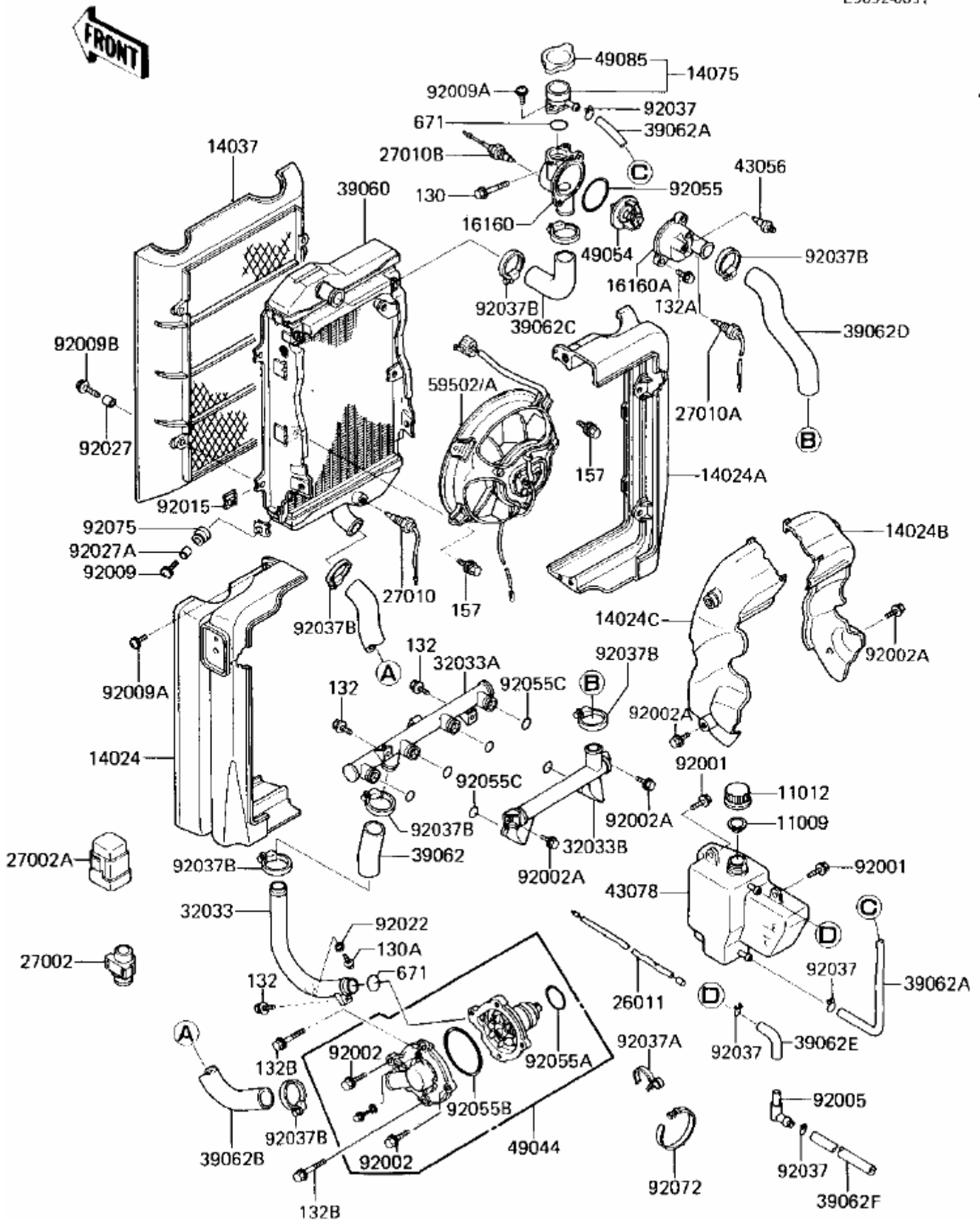


OWNER TOOLS

Ref #	Part #	Description	Qty	Code
14024	56019-120	BOND,#10	1	
52005	52005-1031	GAUGE,AIR,3.5KG/CM2	1	
56007	56007-1305	TOOLKIT	1	
56008	56008-1007	BAG,TOOL	1	
92104	92104-1003	GASKET-LIQUID,BLACK	1	
92106	92106-1001	GRIP,SCREW DRIVER	1	
92107	92107-005	SCREW DRIVER #3 PHLIP	1	
92107A	92107-1051	92107-1052 (Canada)	1	
92110	92110-1152	TOOL-WRENCH,OPEN END,	1	
92110A	92110-1133	TOOL-WRENCH,BOX,18MM	1	
92110B	92110-1153	TOOL-WRENCH,OPEN END,	1	
92112	92112-003	PLIERS,160MM	1	

RADIATORFAN-WATER PUMP

E3032-0031



RADIATORFAN-WATER PUMP

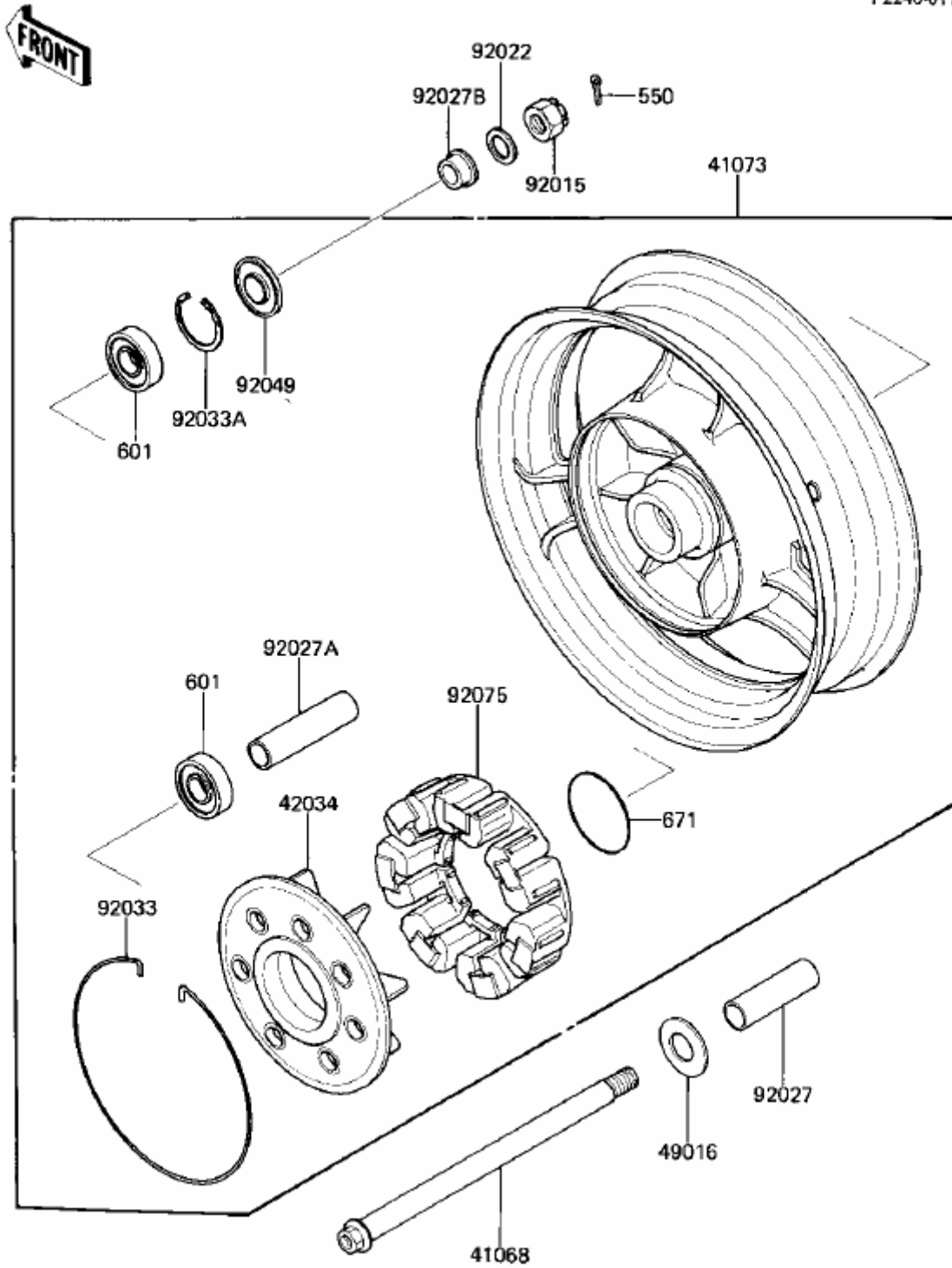
Ref #	Part #	Description	Qty	Code
11009	11009-1145	GASKET,RESERVE TANK	1	
11012	11012-1084	CAP,RESERVE TANK	1	
14024	14024-1070	COVER,SCREEN,LH	1	
14024A	14024-1071	COVER,SCREEN,RH	1	
14024B	14024-1073	COVER,RH	1	
14024C	14024-1118	COVER,LH	1	
14037	14037-1074	SCREEN	1	
14075	14075-1062	CAP-ASSY,RADIATOR	1	
16160	16160-1098	BODY,THERMOSTAT	1	
16160A	16160-1099	BODY,THERMOSTAT	1	
26011	26011-1318	WIRE-LEAD,OIL TEMPERATURE	1	
27002	27002-1054	RELAY-ASSY	1	
27002A	27002-1055	RELAY-ASSY	1	
27010	27010-1180	SWITCH,FAN	1	
27010A	27010-1188	SWITCH,WARNING	1	
27010B	27010-1191	SWITCH,OIL TEMPERATURE	1	
32033	39192-1028	PIPE-WATER	1	
32033A	32033-1262	PIPE	1	
32033B	32033-1712	PIPE	1	
39060	39060-1064	RADIATOR	1	
39062	39062-1072	HOSE-COOLING	1	
39062A	39062-1124	HOSE-COOLING	1	
39062B	39062-1126	HOSE-COOLING	1	
39062C	39062-1127	HOSE-COOLING	1	
39062D	39062-1128	HOSE-COOLING	1	
39062E	39062-1141	HOSE-COOLING	1	
39062F	39062-1142	HOSE-COOLING	1	
43056	43056-003	BREEDER	1	
43078	43078-1064	RESERVOIR	1	
49044	49044-1058	PUMP-WATER	1	
49054	49054-1051	THERMOSTAT	1	
49085	49085-1053	CAP-ASSY-PRESSURE	1	
59502	59502-1058	FAN-ASSY	1	
59502A	59502-1061	FAN-ASSY	1	
92001	92001-1516	BOLT,W/WASHER,6X12	2	
92002	92002-1392	BOLT,6X22	2	
92002A	92002-1550	BOLT,6X14	6	
92005	92005-1138	FITTING	1	
92009	92009-1664	SCREW	4	
92009A	92009-1288	SCREW,6X14	4	
92009B	92009-1400	SCREW,6X22	4	
92015	92015-1487	NUT	8	
92015	92015-1487	NUT	6	
92022	92022-304	WASHER,PLAIN	1	
92027	92027-1210	COLLAR,6.8X10X11.5L	4	
92027A	92027-1945	COLLAR	4	
92037	92037-147	CLAMP,CHAIN OILER	5	
92037A	92037-1552	CLAMP	1	
92037B	92037-1985	CLAMP,COOLING HOSE	8	
92055	92055-112	"0" RING,53.5MM	1	
92055A	92055-1266	RING-O,33MM	1	
92055B	92055-1271	RING-O,WATER PUMP	1	
92055C	92055-1282	RING-O,16MM	6	

RADIATORFAN-WATER PUMP

92072	92072-056	BAND,WIRING HARNESS	2
92075	92075-1773	DAMPER	4
130	130B0650	BOLT-FLANGED,6X50	1
130A	130J0610	BOLT-FLANGED	1
132	132J0612	BOLT-FLANGED-SMALL	3
132A	132J0620	BOLT-FLANGED-SMALL	2
132B	132J0640	BOLT-FLANGED-SMALL	2
157	157J0612	BOLT-WSP	4
671	671B2525	"0" RING,25MM	2

REAR WHEELHUB

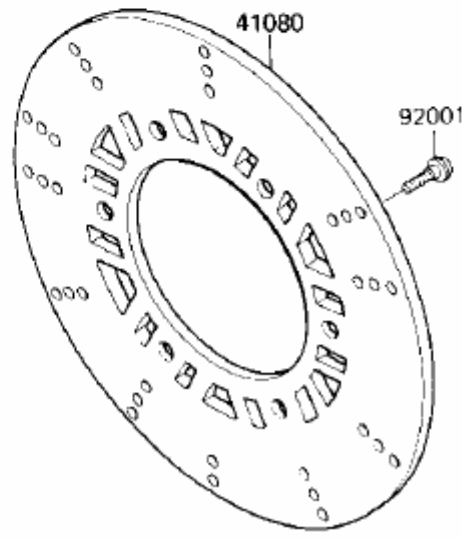
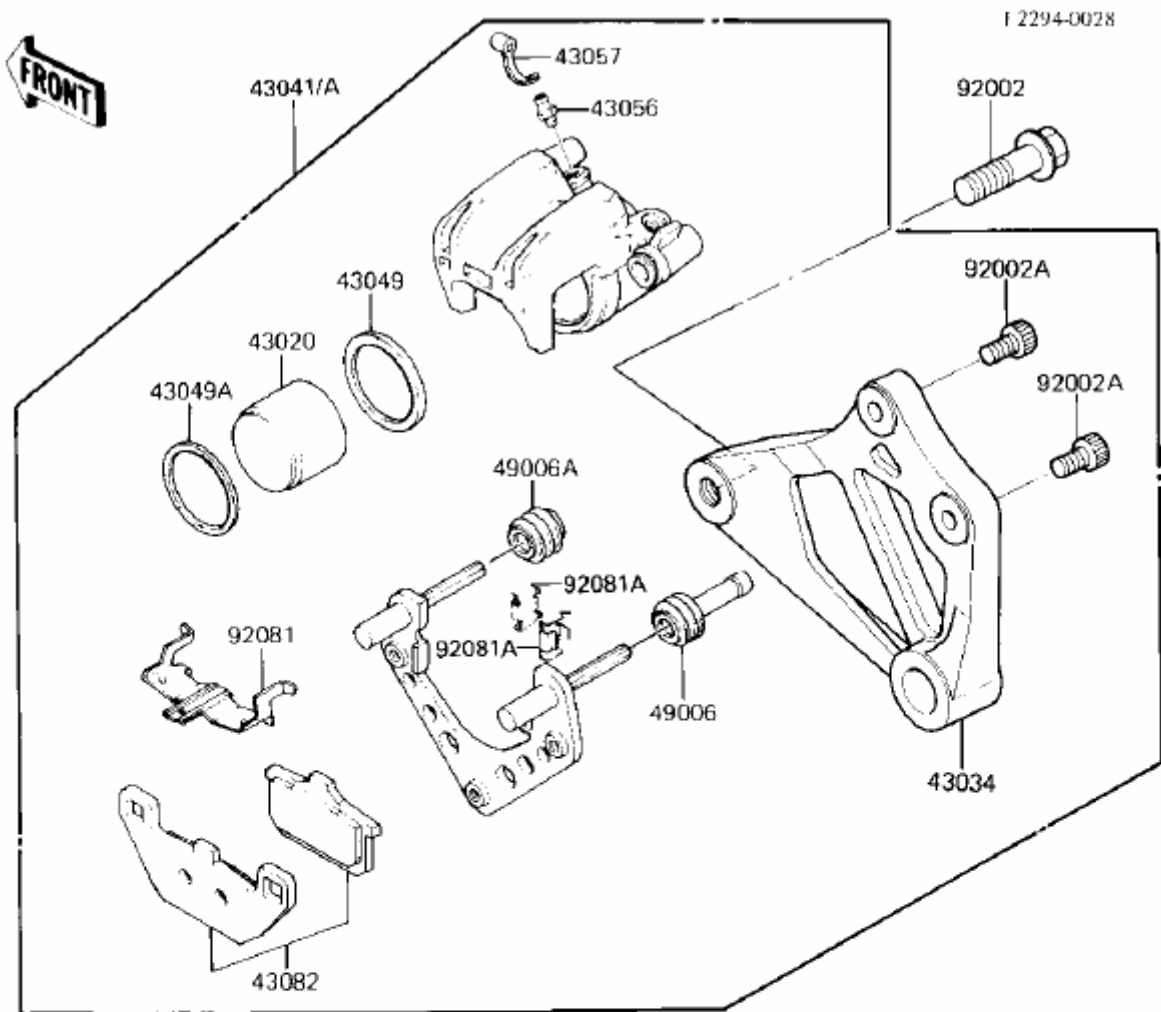
F2240-0179



REAR WHEELHUB

Ref #	Part #	Description	Qty	Spec Code
41068	41068-1197	AXLE,RR	1	
41073	41073-1316-J9	WHEEL-ASSY,RR,M.GRAY	1	
42034	42034-1011	COUPLING,REAR HUB	1	
49016	49016-1019	COVER	1	
92015	42045-018	NUT CASTLE,18MM	1	
92022	42046-003	WASHER PLAIN 22MM	1	
92027	92027-1553	COLLAR,20.2X28X89	1	
92027A	92027-1901	COLLAR,20.2X28X105.5	1	
92027B	92027-1902	COLLAR,RR AXLE,L=21.5	1	
92033	92033-1019	RING,SNAP	1	
92033A	92033-1043	RING,SNAP,56.2M/M	1	
92049	92049-1061	SEAL-OIL	1	
92075	92075-1121	DAMPER,REAR HUB,SHOCK	1	
550	550D4035	PIN-COTTER,4.0X35	1	
601	601B6304ZZ	BEARING,BALL,#6304ZZ	2	
671	671B2580	"0" RING,80MM	1	

REAR BRAKE

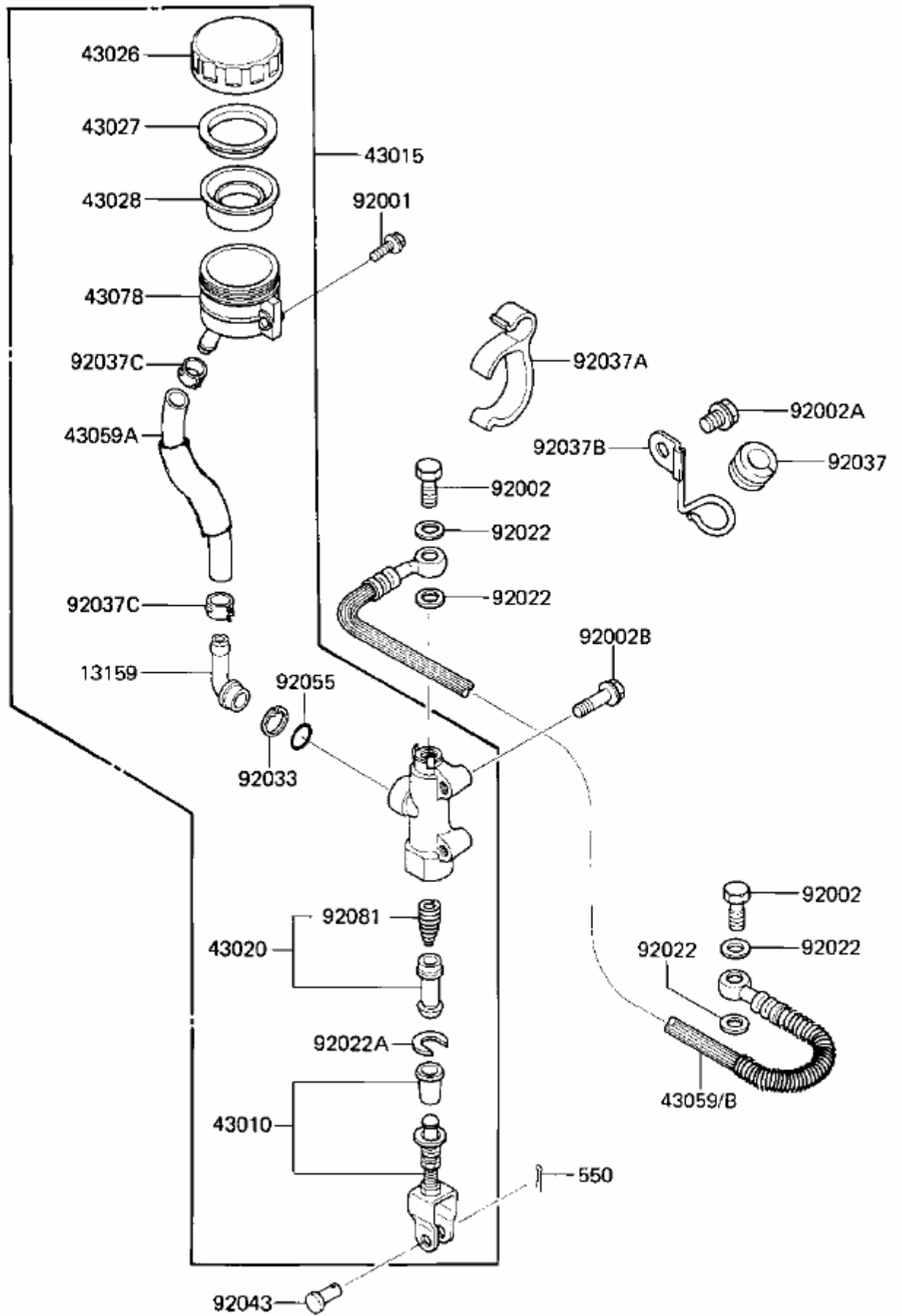


REAR BRAKE

Ref #	Part #	Description	Qty	Spec Code
41080	41080-1113	DISC,RR,SILVER	1	
43020	43020-1066	PISTON-COMP-BRAKE	1	
43034	43034-1066	HOLDER-BRAKE,RR	1	
43041	43041-1200	CALIPER-ASSY,RR	1	
43041A	43041-1210	CALIPER-ASSY	1	
43049	43049-002	RING,PISTON SEAL	1	
43049A	43049-1028	PACKING,PISTON	1	
43056	43056-003	BREEDER	1	
43057	43057-003	CAP,BREEDER	1	
43082	43082-1062	PAD-ASSY-BRAKE	1	
49006	49006-1094	BOOT,CALIPER	1	
49006A	49006-1095	BOOT,CALIPER	1	
92001	92001-1951	BOLT, SOCKET, 8X30	6	
92002	92002-1510	BOLT, FLANGED, 12X40	1	
92002A	92002-1524	BOLT	2	
92081	92081-1525	SPRING,PAD	1	
92081A	92081-1661	SPRING,PAD STOPPER	2	

REAR MASTER CYLINDER

F2293-0063

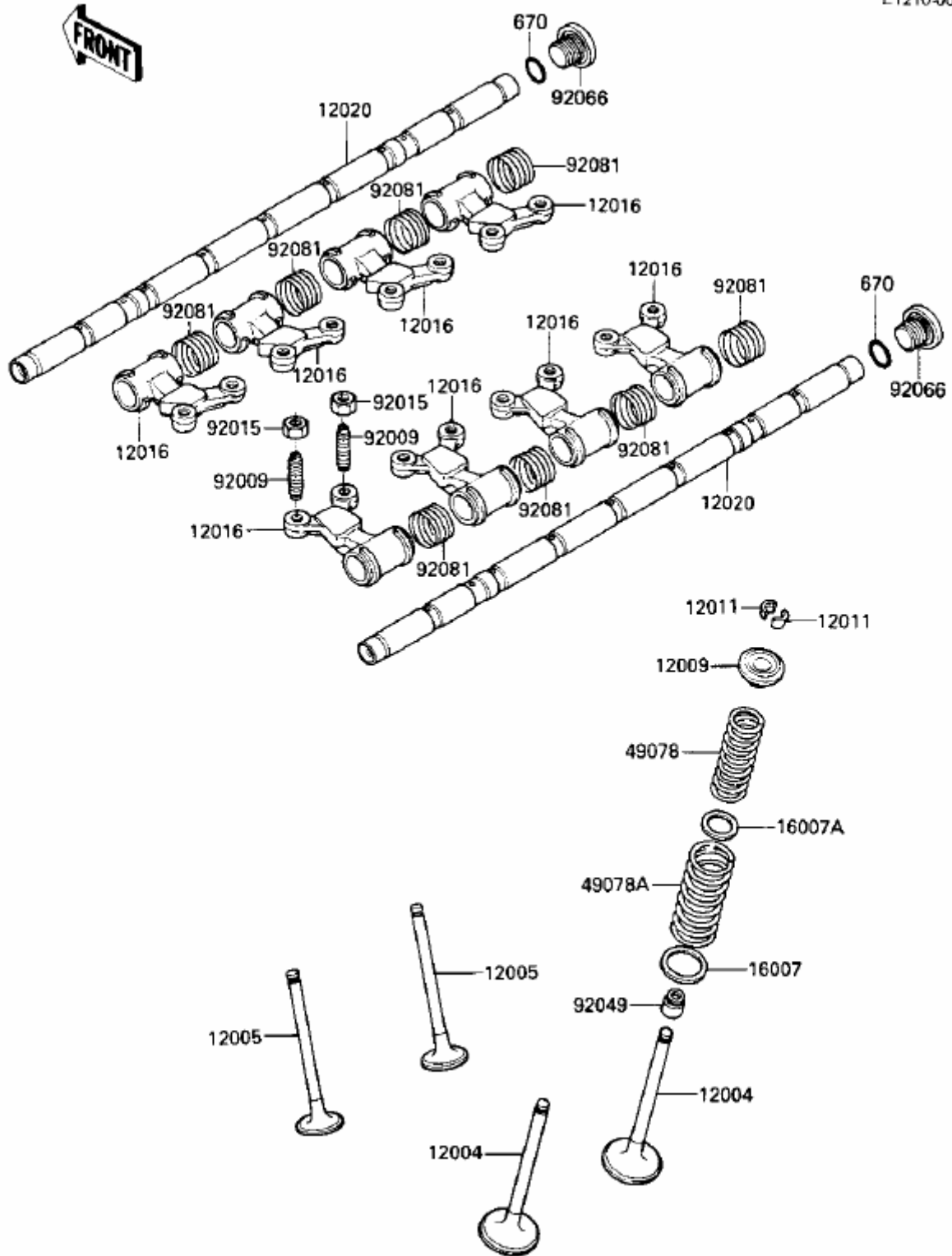


REAR MASTER CYLINDER

Ref #	Part #	Description	Qty	Code
13159	13159-1052	CONNECTOR,RR MASTER CYLINDER	1	
43010	43010-1055	ROD-ASSY-BRAKE	1	
43015	43015-1292	CYLINDER-ASSY-MASTER,	1	
43020	43020-1057	PISTON-COMP-BRAKE	1	
43026	43026-1051	CAP-BRAKE	1	
43027	43027-1051	PLATE-DIAPHRAGM	1	
43028	43028-1057	DIAPHRAGM	1	
43059	43059-1307	HOSE-BRAKE	1	
43059A	43059-1314	HOSE-BRAKE,RR,MASTER	1	
43059B	43059-1325	HOSE-BRAKE	1	
43078	43078-1065	RESERVOIR,RR,MASTER CYLINDER	1	
92001	92001-1860	BOLT,6X16	1	
92002	92002-1888	BOLT,OIL,L=23	2	
92002A	92002-1311	BOLT	1	
92002B	92002-1539	BOLT,FLANGED,8X30	2	
92022	43067-001	WASHER-OIL BOLT	4	
92022A	92022-1601	WASHER	1	
92033	92033-1186	RING-SNAP,20.5MM	1	
92037	43064-007	DAMPER RUBBER	1	
92037A	92037-1535	CLAMP	1	
92037B	92037-1540	CLAMP	2	
92037C	92037-1547	CLAMP	2	
92043	92043-1013	PIN	1	
92055	92055-1251	RING-O	1	
92081	92081-1737	SPRING	1	
550	550D2015	PIN COTTER 2.0X15	1	

ROCKER ARMS VALVES

E1210-0038

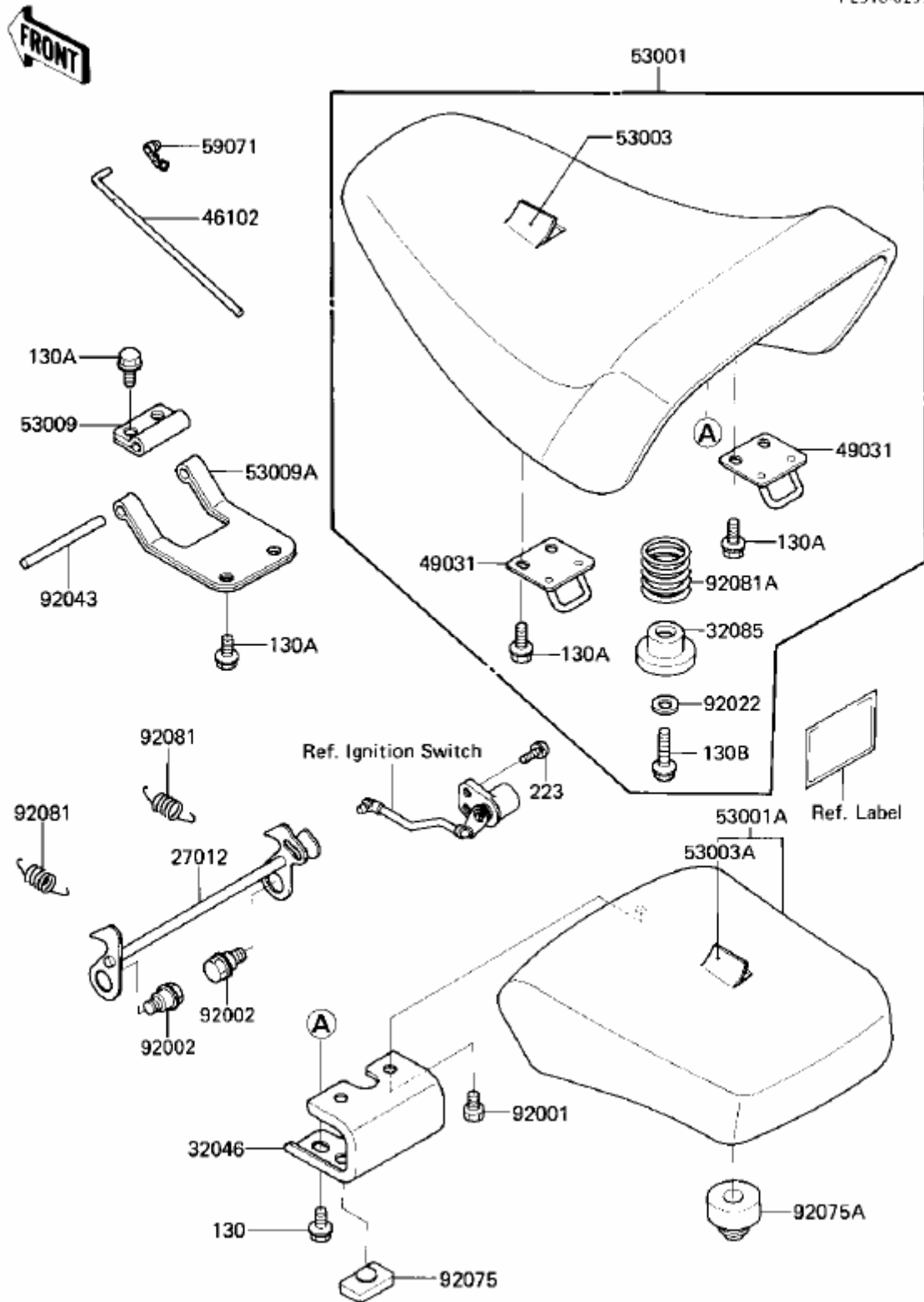


ROCKER ARMS VALVES

Ref #	Part #	Description	Qty	Spec Code
12004	12004-1085	VALVE-INTAKE	8	
12005	12005-1052	VALVE-EXHAUST	8	
12009	12009-1054	RETAINER-VALVE SPRING	16	
12011	12011-1003	SPLIT KEEPER, VALVE SP	32	
12016	12016-1051	ARM-ROCKER	8	
12020	12020-1051	SHAFT-ROCKER, L=343	2	
16007	16007-1144	SEAT-SPRING	16	
16007A	16007-1143	SEAT-SPRING	16	
49078	49078-1067	SPRING-ENGINE VALVE, I	16	
49078A	49078-1068	SPRING-ENGINE VALVE, O	16	
92009	92009-1279	SCREW, 7MM	16	
92015	92015-1325	NUT, 7MM	16	
92049	92049-1062	SEAL-OIL, RVC2-5.5X8.5	16	
92066	92066-1192	PLUG, 14X11.5	2	
92081	92081-1636	SPRING, ROCKER ARM	8	
670	670B2015	"O" RING, 15MM	2	

SEAT

F2510-0293

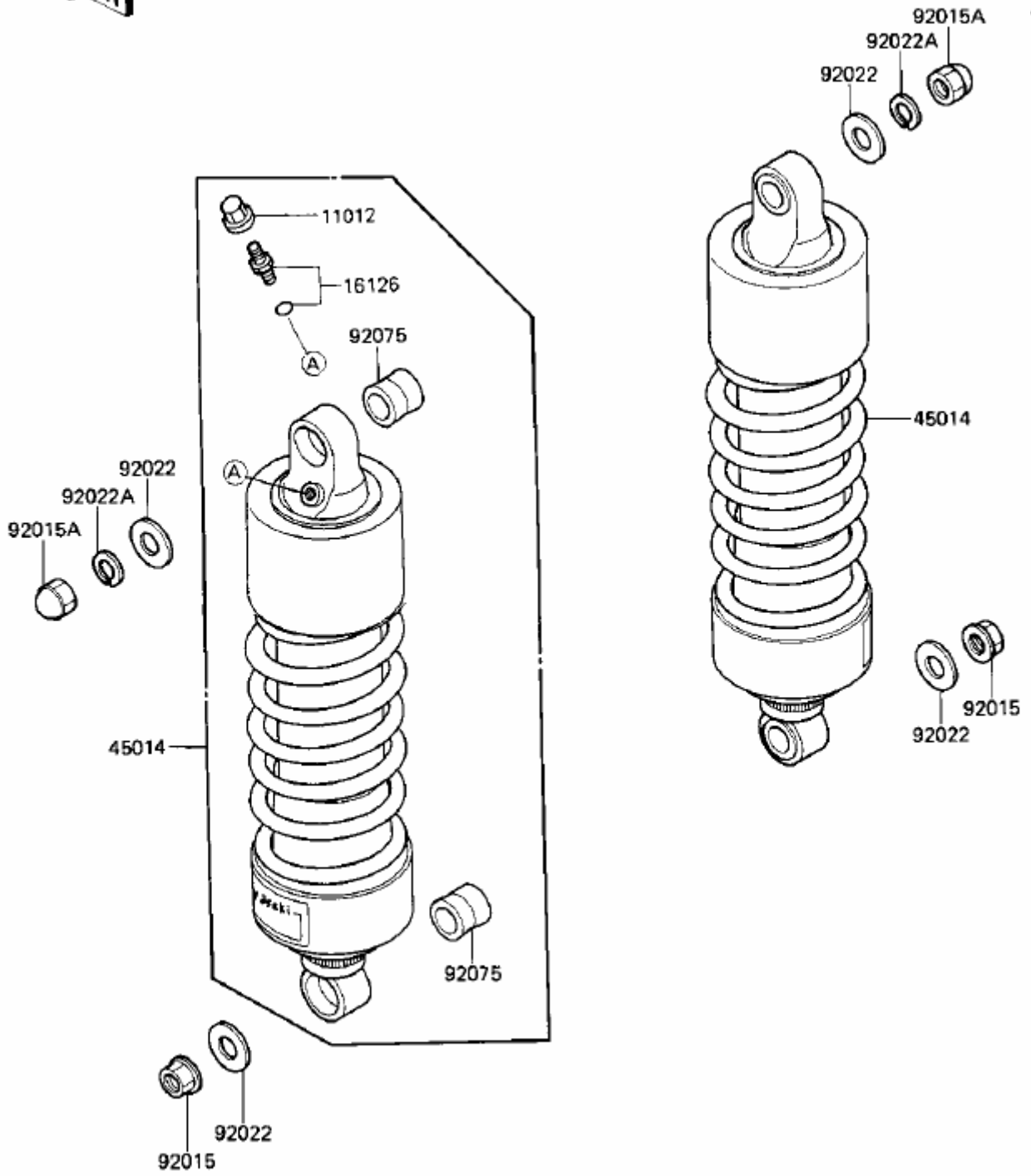


SEAT

Ref #	Part #	Description	Qty	Spec Code
27012	27012-1332	HOOK, SEAT LOCK	1	
32046	32046-1236	BRACKET-SEAT	1	
32085	32085-1167	STOPPER, SEAT	1	
46102	46102-1150	ROD, SEAT STAND	1	
49031	49031-1051	LATCH, SEAT	2	
53001	53001-1426	SEAT-ASSY, FR	1	
53001A	53001-1427	SEAT-ASSY, RR	1	
53003	53003-1139	LEATHER, SEAT	1	
53003A	53003-1140	LEATHER, SEAT	1	
53009	53009-1057	HINGE, SEAT	1	
53009A	53009-1058	HINGE, SEAT	1	
59071	59071-1104	JOINT, SEAT STAND	1	
92001	92001-137	BOLT, HEX HEAD, 6MM	2	
92002	92002-1596	BOLT, *	2	
92022	92022-1565	WASHER, 6.5X16X2	1	
92043	92043-1289	PIN, 6X68	1	
92075	92075-1153	DAMPER, SEAT	2	
92075A	92075-1737	DAMPER, SEAT	2	
92081	92081-1580	SPRING, HOOK RETURN	2	
92081A	92081-1664	SPRING, SEAT	1	
130	130B0610	BOLT, FLANGED, 6X10	2	
130A	130B0612	BOLT	8	
130B	130B0625	BOLT, FLANGED, 6X25	1	
223	223B0510	SCREW-PAN-WS-CROS	2	

SHOCK ABSORBERS

F2151-0005

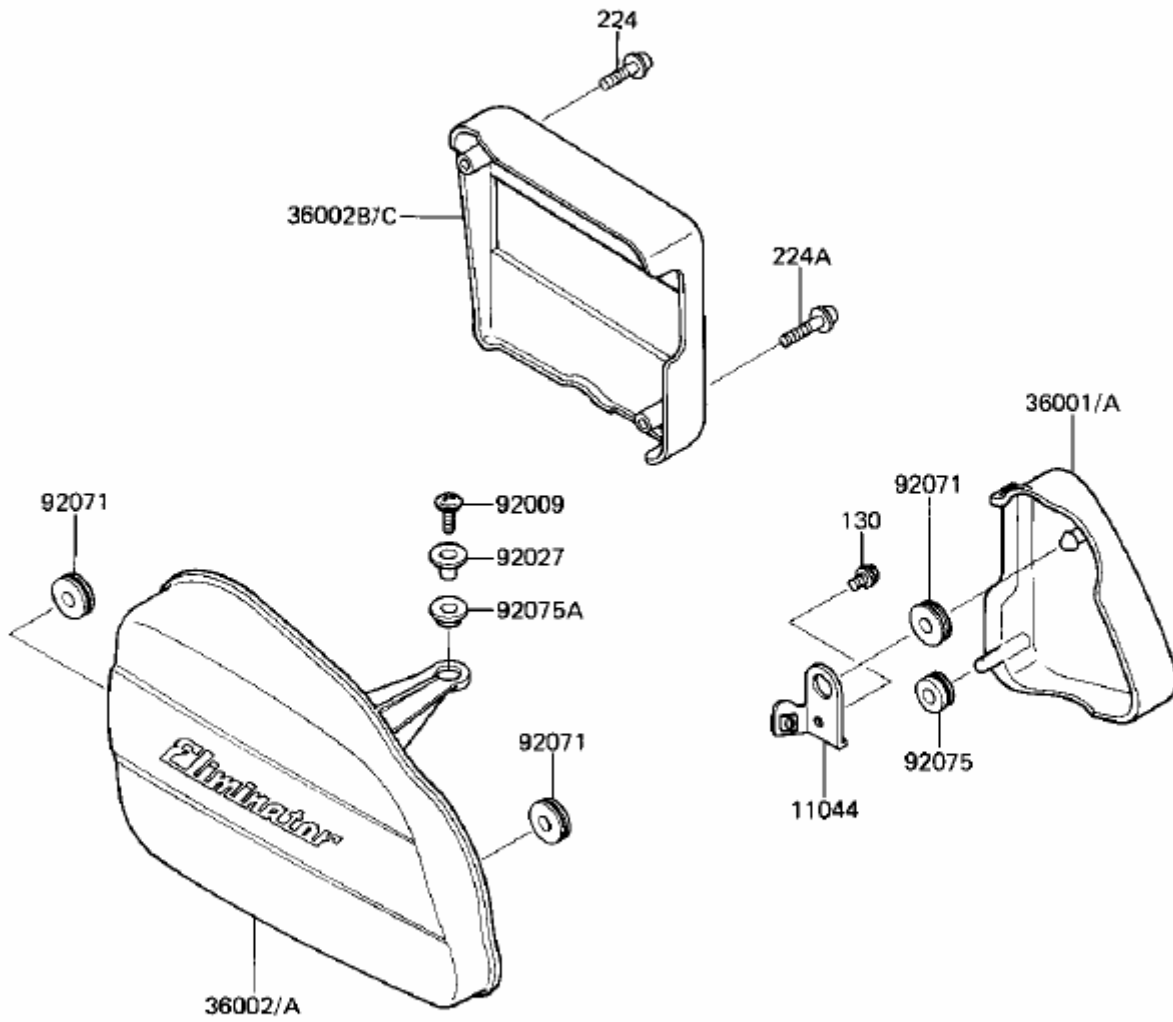


SHOCK ABSORBERS

Ref #	Part #	Description	Qty	Spec Code
11012	11012-1478	CAP,AIR VALVE	2	
16126	16126-1105	VALVE,AIR	2	
45014	45014-1352	SHOCKABSORBER	2	
92015	92015-1428	NUT,FLANGED,10MM	2	
92015A	92020-003	NUT SHOCK ABSORBER	2	
92022	92022-044	WASHER-PL-10.5X26X2.3	4	
92022A	92022-1540	WASHER,SPRING,10MM	2	
92075	92075-1387	DAMPER,SHOCKABSORBER	4	

SIDE COVERS

F2611-0007

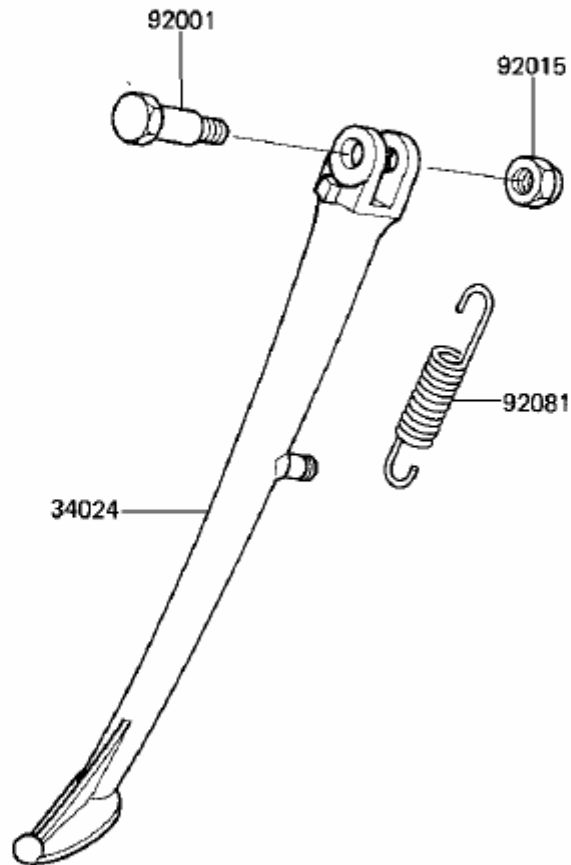


SIDE COVERS

Ref #	Part #	Description	Qty	Spec Code
11044	11044-1258	BRACKET,SIDE COVER	1	
36001	36001-1301-H8	COVER-SIDE,RH,SUB,EBO	1	
36001A	36001-1301-7V	COVER-SIDE,RH,SUB,L.R	1	
36002	36002-5080-H8	COVER-SIDE,LH,EBONY	1	
36002A	36002-5080-7V	COVER-SIDE,LH,L.RED	1	
36002B	36002-5081-H8	COVER-SIDE,RH,BATTERY	1	
36002C	36002-5081-7V	COVER-SIDE,RH,BATTERY	1	
92009	92009-1663	SCREW	1	
92027	92027-1795	COLLAR	1	
92071	92071-056	GROMMET	3	
92075	92075-076	DAMPER RUBBER	1	
92075A	92075-1244	DAMPER,RUBBER	1	
130	130B0610	BOLT,FLANGED,6X10	1	
224	224C0635	SCREW-PAN-WP-CROS	1	
224A	224C0640	SCREW-PAN-WP-CROS	1	

STAND

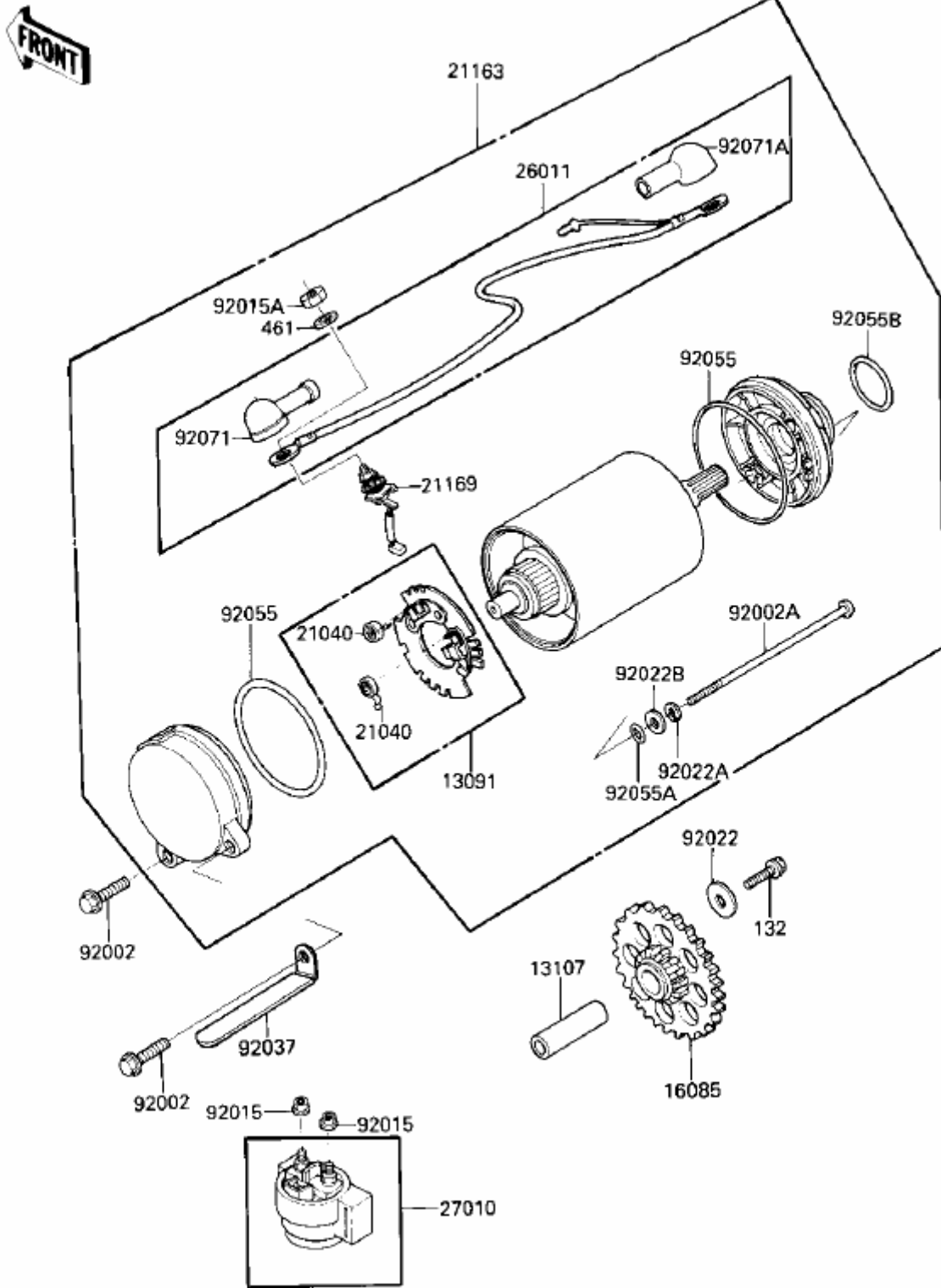
F2190-0183



Ref #	Part #	Description	Qty	Spec Code
34024	34024-1217	STAND-SIDE	1	
92001	92001-1543	BOLT, 8X160, BLACK	1	
92015	92015-1188	NUT, LOCK, 10MM, BLACK	1	
92081	92081-1727	SPRING, SIDE STAND	1	

STARTER MOTOR

E1840-0072

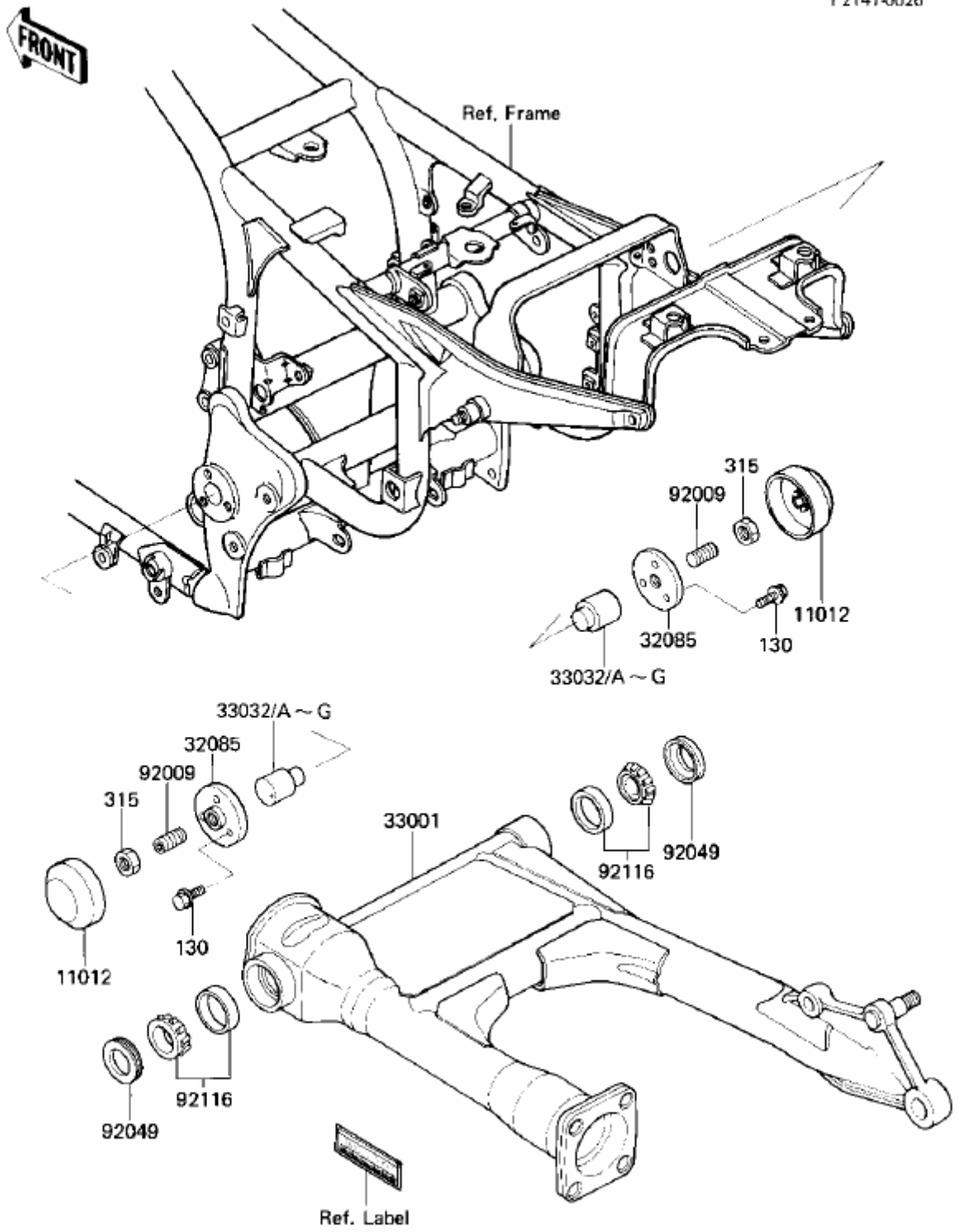


STARTER MOTOR

Ref #	Part #	Description	Qty	Spec Code
13091	13091-1325	HOLDER,CARBON BRUSH	1	
13107	13107-1106	SHAFT,IDLE GEAR	1	
16085	16085-1119	GEAR,IDLE	1	
21040	21040-1051	SPRING-BRUSH	2	
21163	21163-1081	STARTER-ELECTRIC	1	
21169	21169-1051	TERMINAL,STARTER	1	
26011	26011-1332	WIRE-LEAD,STARTER MOT	1	
27010	27010-1314	SWITCH,STARTER	1	
92002	92001-1947	BOLT,6X20	2	
92002A	92002-1377	BOLT	2	
92015	92015-1078	NUT-6MM	2	
92015A	92015-1457	NUT,6MM	1	
92022	92022-1517	WASHER,6X19.5X2	1	
92022A	92022-1622	WASHER-SPRING	2	
92022B	92022-1623	WASHER	2	
92037	92037-1679	CLAMP	1	
92055	92055-1260	RING-O,64MM	2	
92055A	92055-1261	O-RING	2	
92055B	92055-1262	RING-O,24.4MM	1	
92071	92071-1120	GROMMET,STARTER TERMINAL	1	
92071A	92071-1134	GROMMET,TERMINAL	1	
132	132G0612	BOLT-FLANGED-SMALL	1	
461	461F0600	WASHER SPRING 6MM	1	

SWING ARM

F2141-0026

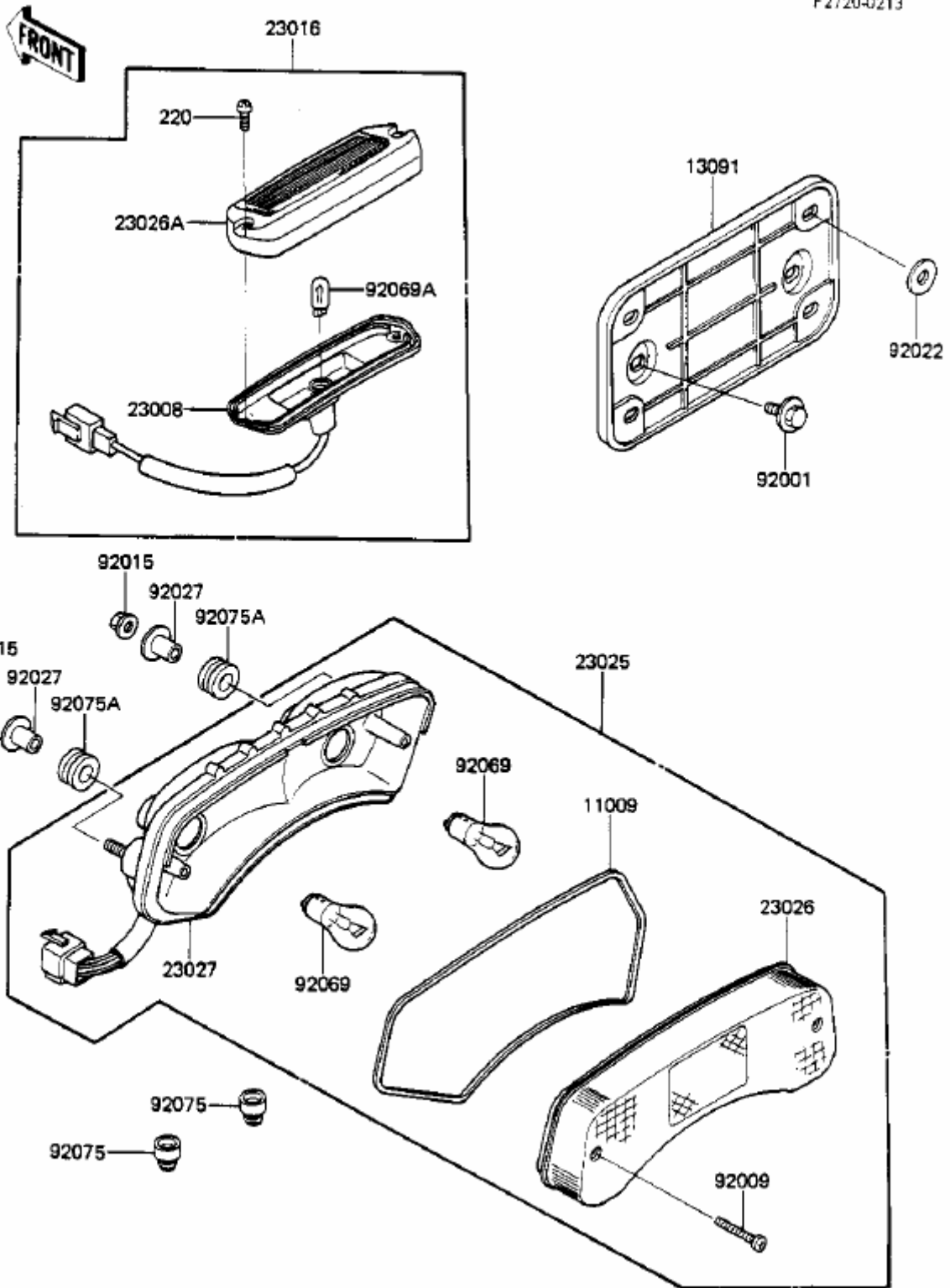


SWING ARM

Ref #	Part #	Description	Qty	Spec Code
11012	11012-1458	CAP, SWING ARM	2	
32085	32085-1212	STOPPER	2	
33001	33001-1244	ARM-COMP-SWING	1	
33032	33032-1117-AA	SHAFT-SWING ARM, "A"SI	AR	
33032A	33032-1117-BB	SHAFT-SWING ARM, "B"SI	AR	
33032B	33032-1117-CC	SHAFT-SWING ARM, "C"SI	AR	
33032C	33032-1117-WW	SHAFT-SWING ARM, "W"SI	AR	
33032D	33032-1117-XX	SHAFT-SWING ARM, "X"SI	AR	
33032E	33032-1117-YY	SHAFT-SWING ARM, "Y"SI	AR	
33032F	33032-1117-ZZ	SHAFT-SWING ARM, "Z"SI	AR	
33032G	33032-1119	SHAFT-SWING ARM	2	
92009	92009-1388	SCREW, SOCKET, 12X25	2	
92049	92049-1030	OIL SEAL, 26406	2	
92116	92116-1001	BRG, ROLLER, 4T30203E1	2	
130	130P0620	BOLT-FLANGED, 6X20	6	
315	315B1200	NUT-HEX-FINE, 12MM	2	

TAILLIGHT

F2720-0213

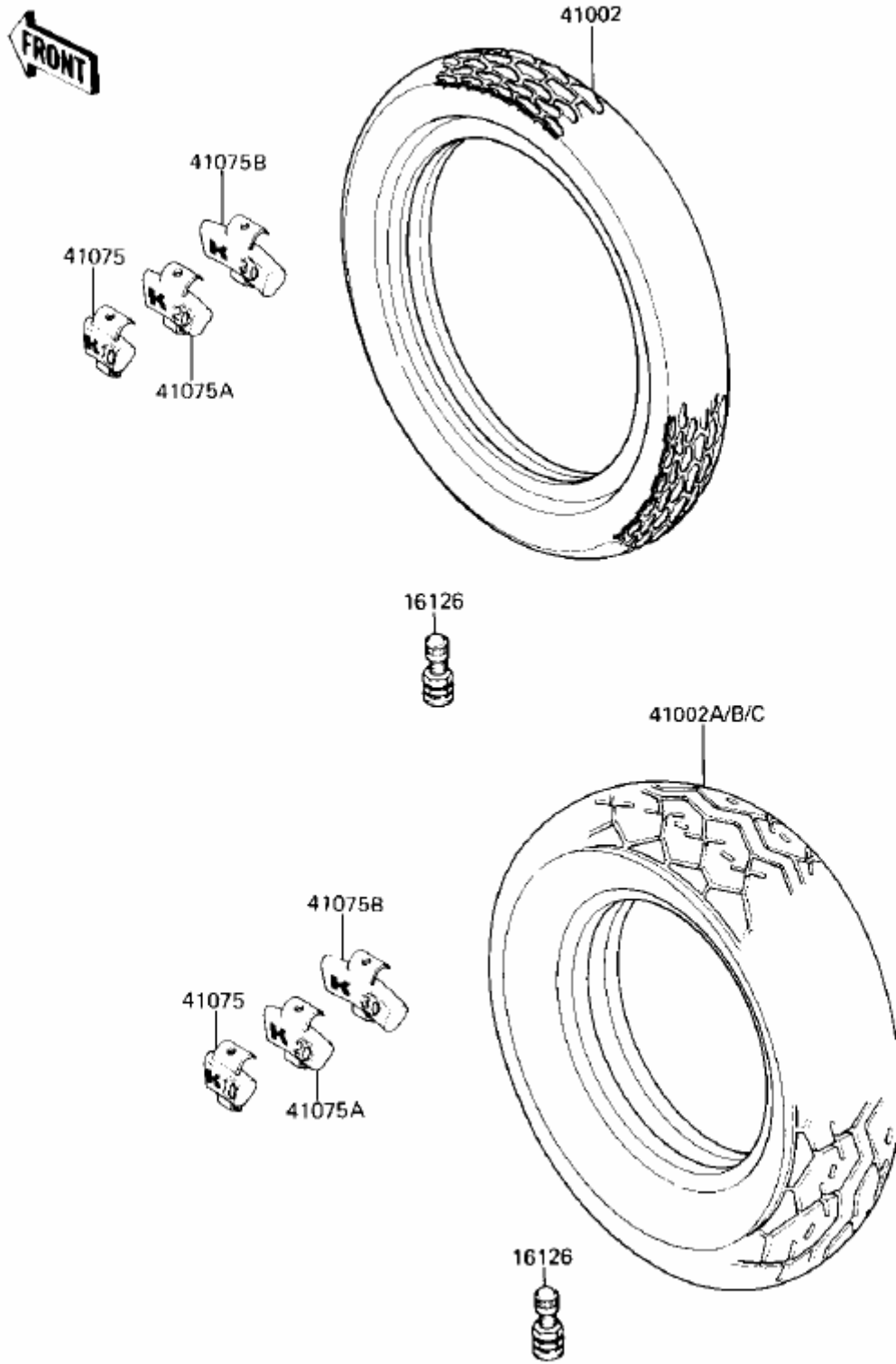


TAILIGHT

Ref #	Part #	Description	Qty	Spec Code
11009	11009-1524	GASKET,TAIL LAMP LENS	1	
13091	13091-1379	HOLDER,LICENSE	1	
23008	23008-1271	SOCKET-ASSY,LICENSE L	1	
23016	23016-1065	LAMP-ASSY,LICENSE	1	
23025	23025-1123	LAMP-TAIL	1	
23026	23026-1068	LENS,TAIL LAMP	1	
23026A	23026-1069	LENS,LICENSE LAMP	1	
23027	23027-1062	BODY-COMP-TAIL LAMP	1	
92001	92001-1847	BOLT,6X14,BLACK	2	
92009	92009-1056	SCREW,TAPPING	2	
92015	92015-1078	NUT-6MM	2	
92022	92022-1346	WASHER,6.5X20X1.6.BLACK	4	
92027	92027-251	COLLAR	2	
92069	92069-059	BULB,12V 32/3CP	2	
92069A	92069-1007	BULB,12V3.4W	1	
92075	92075-035	DAMPER RUBB SPEEDMETR	2	
92075A	92075-1690	DAMPER	2	
220	220C0420	SCREW-PAN-CROS,4X20	2	

TIRES

F2210-0132

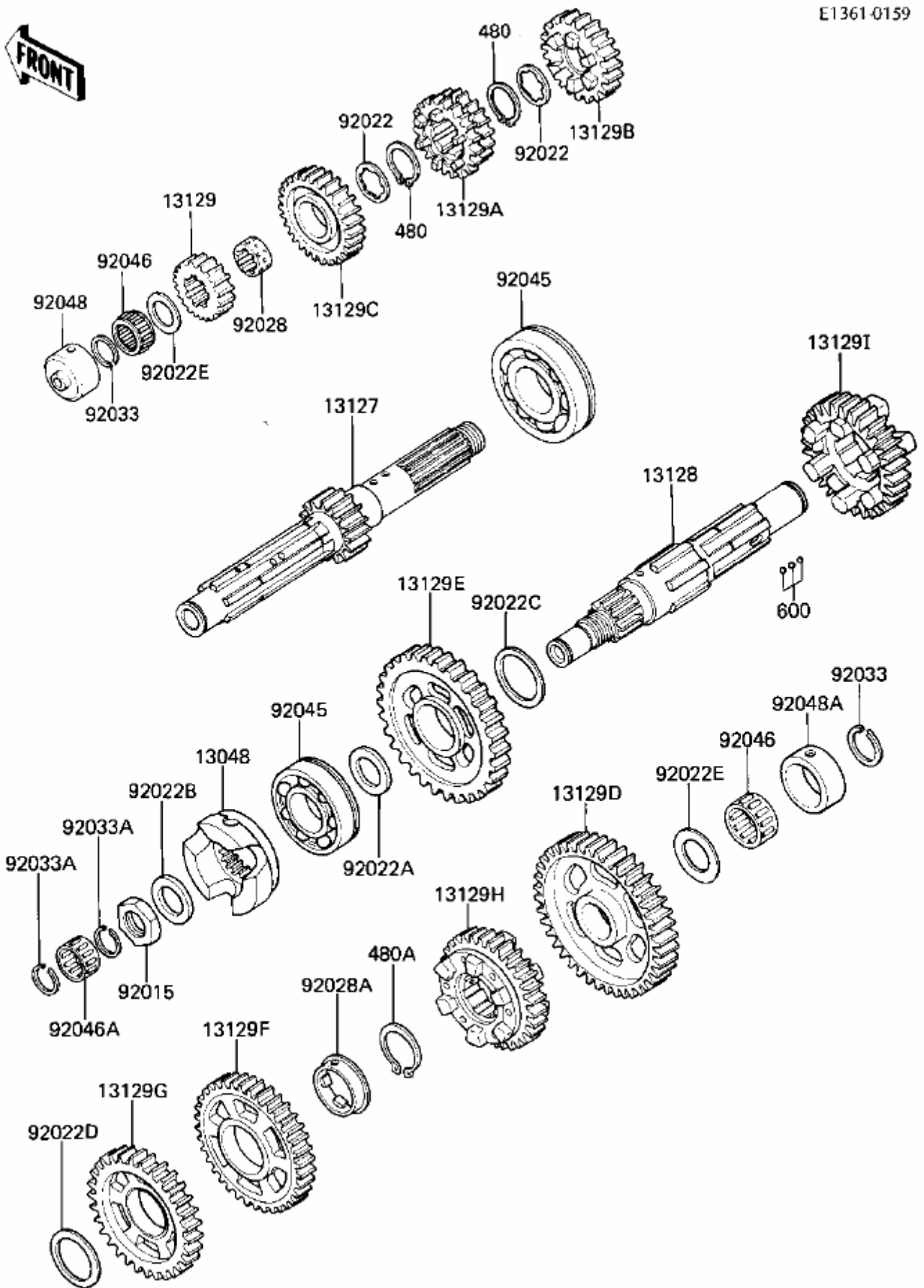


TIRES

Ref #	Part #	Description	Qty	Spec
16126	16126-1136	VALVE 2		
41002	41002-1513	TIRE,FR,100/90-18 56H	1	
41002A	41002-1612	TIRE,RR,160/80-15 74H	1	(SUBSTITUTES 41002-1558)
41002B	41002-1612	TIRE,RR,160/80-15 74H	1	
41002C	41002-1612	TIRE,RR,160/80-15 74H	1	
41075	41075-1014	BALANCER-WHEEL,10G AR		
41075A	41075-1015	BALANCER-WHEEL,20G AR		
41075B	41075-1016	BALANCER-WHEEL,30G AR		

TRANSMISSION

E1361-0159

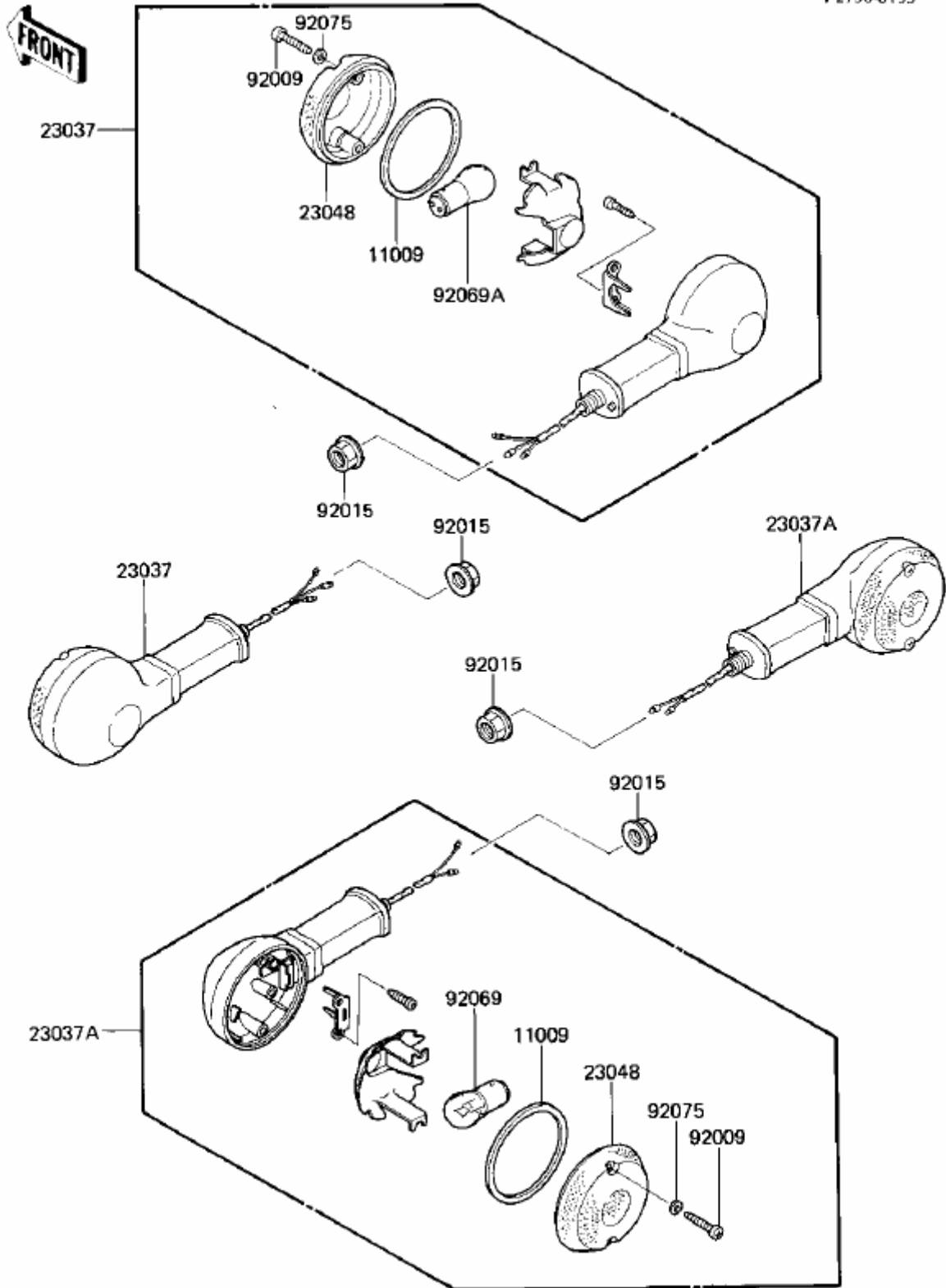


TRANSMISSION

Ref #	Part #	Description	Qty	Spec Code
13048	13048-1060	CAM-DAMPER	1	
13127	13127-1196	SHAFT-TRANSMISSION INPUT	1	
13128	13128-1138	SHAFT-TRANSMISSION OUTPUT	1	
13129	13129-1530	GEAR, INPUT 2ND, 19T	1	
13129A	13129-1531	GEAR, INPUT 3RD&4TH, 22	1	
13129B	13129-1532	GEAR, INPUT 5TH, 26T	1	
13129C	13129-1533	GEAR, INPUT TOP, 28T	1	
13129D	13129-1534	GEAR, OUTPUT LOW, 42T	1	
13129E	13129-1700	GEAR, OUTPUT 2ND, 38T	1	
13129F	13129-1701	GEAR, OUTPUT 3RD, 35T	1	
13129G	13129-1702	GEAR, OUTPUT 4TH, 32T	1	
13129H	13129-1703	GEAR, OUTPUT 5TH, 30T	1	
13129I	13129-1704	GEAR, OUTPUT TOP, 29T	1	
92015	92016-028	NUT 20MM	1	
92022	92022-1077	WASHER, LOCK (O.D=35)	2	
92022A	92022-1219	WASHER, 28.3X42X2.9	1	
92022B	92022-1692	WASHER, 20.3X32X4.5	1	
92022C	92022-1693	WASHER, 32X40X1.6	1	
92022D	92022-1694	WASHER, 30X38X2.0	1	
92022E	92022-212	WASHER, PLAIN, 22MM	2	
92028	92028-1124	BUSHING, TOP GEAR	1	
92028A	92028-1374	BUSHING, OUTPUT 3RD GEAR	1	
92033	92033-025	CIRCLIP, 25MM	2	
92033A	92033-028	CIRCLIP	2	
92045	92045-1186	BEARING-BALL	2	
92046	92046-031	BEARING, PK223013.8	2	
92046A	92046-1145	BEARING-NEEDLE, K17X23	1	
92048	92048-1052	RACE, INPUT SHAFT	1	
92048A	92048-1053	RACE, 30X38X15	1	
480	480J2800	CIRCLIP 28MM	2	
480A	480J2900	CIRCLIP	1	
600	600A0500	BALL STEEL 5/32'	3	

TURN SIGNALS

F2730-0153



TURN SIGNALS

Ref #	Part #	Description	Qty	Spec Code
11009	11009-1413	GASKET,SIGNAL LAMP	4	
23037	23037-1218	LAMP-ASSY-SIGNAL,FR	2	
23037A	23037-1219	LAMP-ASSY-SIGNAL,RR	2	
23048	23048-1066	LENS-SIGNAL LAMP	4	
92009	92009-1069	SCREW,TAPPING,4X25	8	
92015	92015-1428	NUT,FLANGED,10MM	4	
92069	92069-055	BULB 12V 32CP	2	
92069A	92069-060	BULB,12V 23/8W	2	
92075	23058-002	WASHER-PLAIN,4MM	8	